



**MANUALE UTENTE
USER MANUAL
MANUAL DEL USUARIO
MANUEL DE L'UTILISATEUR
BENUTZERHANDBUCH**



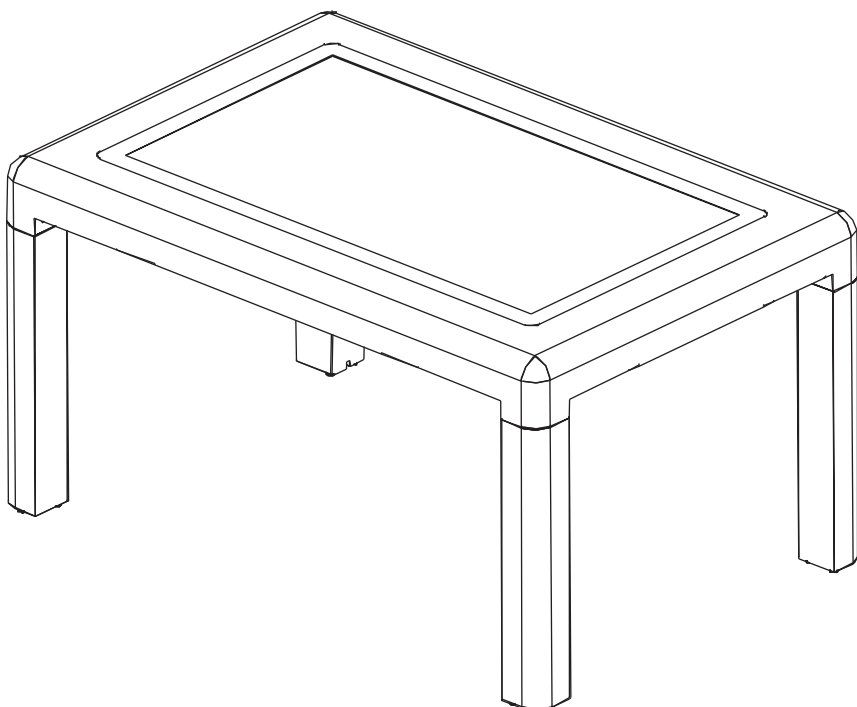
**ATTENZIONE !
LEGGERE ATTENTAMENTE PRIMA DI
APRIRE L'MBALLO**

ATTENTION ! READ CAREFULLY BEFORE OPEN THE PACKAGE

ADVERTENCIA ! LEA ATENTAMENTE ANTES DE ABRIR EL ENVASE

AVERTISSEMENT ! LIRE ATTENTIVEMENT AVANT D'OUVRIR L'EMBALLAGE

WARNING ! VOR DEM ÖFFNEN DER VERPACKUNG SORGFÄLTIG LESEN



**ZERO
EDGE
KIDS TABLE**

CONSERVAZIONE IMBALLAGGIO

È necessario conservare per tutto il periodo della garanzia gli imballaggi con cui è stato consegnato il tavolo interattivo compresa la cassa in legno esterna.

STORAGE PACKAGING

The packaging in which the interactive table was delivered, including the outer wooden crate, must be kept throughout the warranty period.

EMBALAJE DE ALMACENAMIENTO

El embalaje en el que se entregó la mesa interactiva, incluida la caja de madera exterior, debe conservarse durante todo el período de garantía.

EMBALLAGE DE STOCKAGE

L'emballage dans lequel la table interactive a été livrée, y compris la caisse extérieure en bois, doit être conservé pendant toute la période de garantie.

LAGERUNG DER VERPACKUNG

Die Verpackung, in der der interaktive Tisch geliefert wurde, einschließlich der äußeren Holzkiste, muss während der gesamten Garantiezeit aufbewahrt werden.

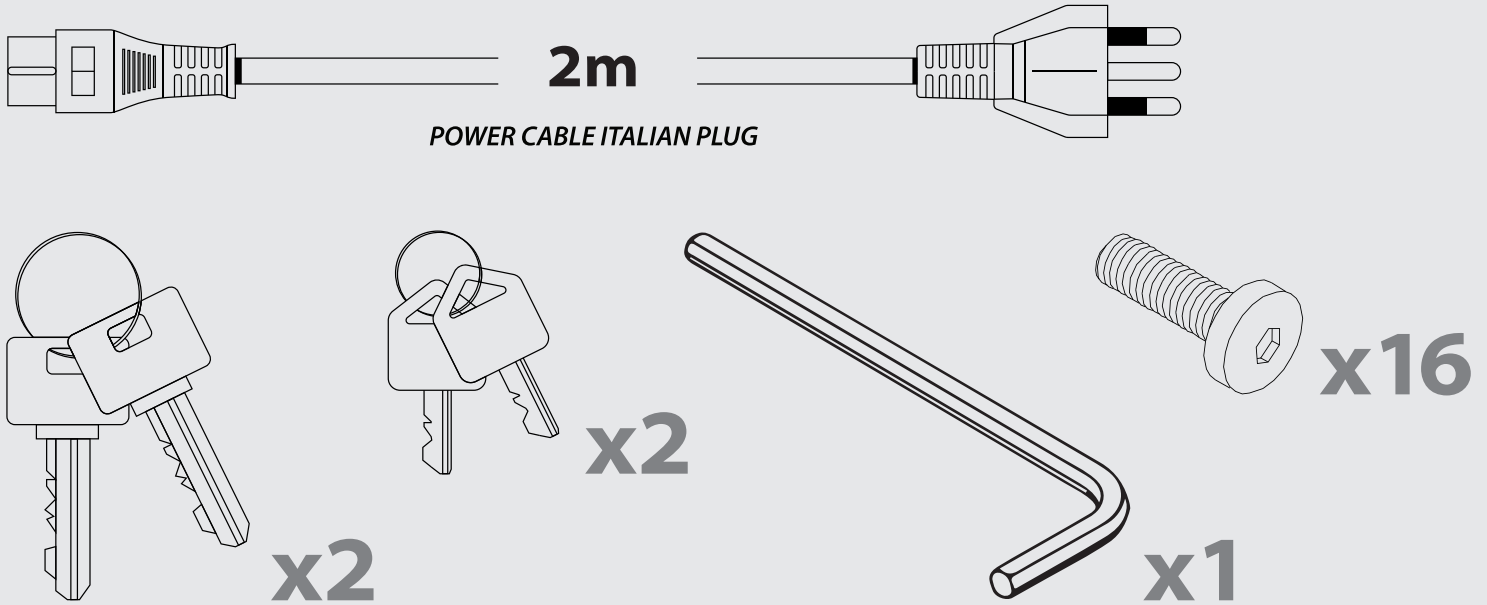
TABLE AND OPS INSTALLATION KIT



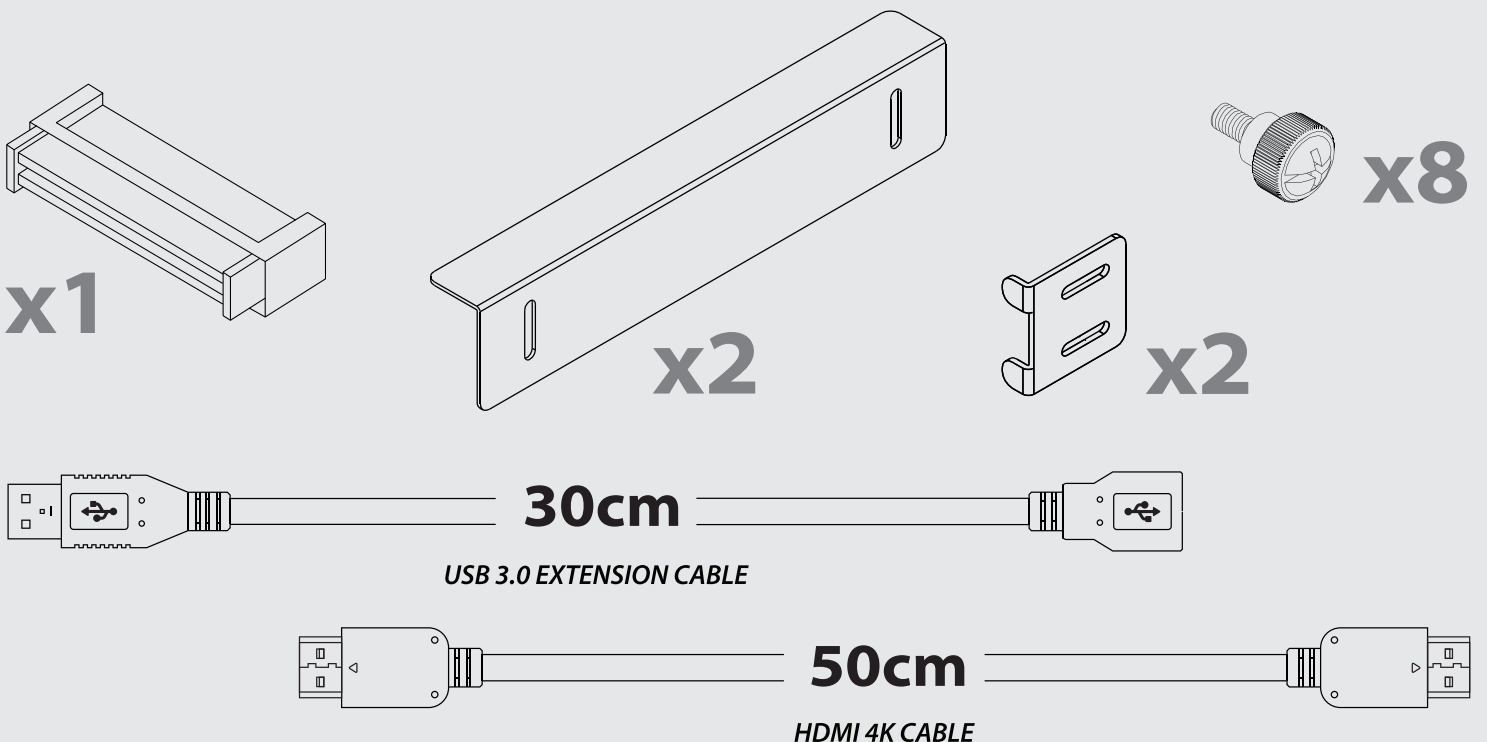
WARNING!

- Check that the box included in the packaging contains the accessories listed below.
- Carefully store contents

TABLE INSTALLATION KIT



OPS INSTALLATION KIT



MOVEMENT AND ASSEMBLY PROCEDURES



WARNING !

Due to its weight and size, a single person **MUST NOT** move the interactive table manually. Depending on the assembly **type, 2 to 4 persons may be required.**

Comply with the regulations in force (Legislative Decree 81/08 regarding maximum liftable weight).

ASSEMBLY

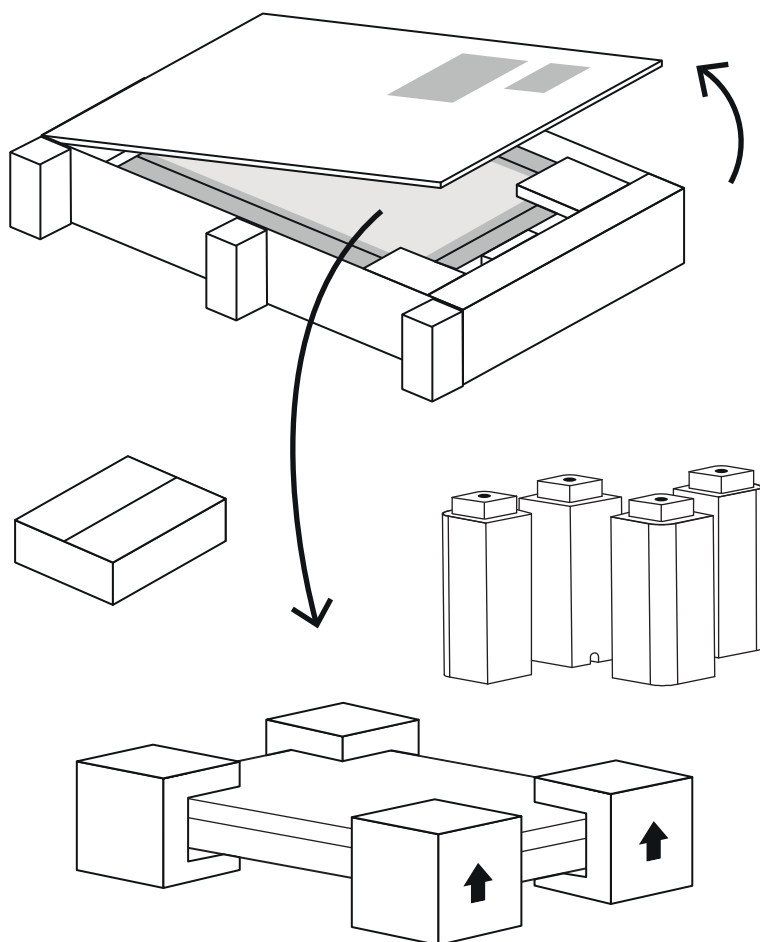
Depending on the type of assembly, a **minimum of 2 people and a maximum of 4 people** are required to assemble the Zero Edge interactive table correctly. The operation generally takes **about 30 minutes**, and we recommend always using at least **3 people**.

It is suggested that you also equip yourself with an Allen screwdriver in addition to the one supplied in order to speed up tightening operations (16 Allen screws, 4 per leg).

There are three different ways of mounting the table: **A** (pages 1-4)
B1 (pages 5-8)
B2 (pages 9-12)

MODE A

NEEDED:
3/4 PERSONS



1 Place the table near where it will be installed (move it vertically). Cut the plastic straps and open the hinges.

Open the wooden box and take out all contents: 4 short legs + accessory box (cables, screws, etc.).

2 Place the table, rotating it 90° with the arrow pointing upwards, on the floor where you have previously placed a adequately thick cloth to avoid damaging the screen.

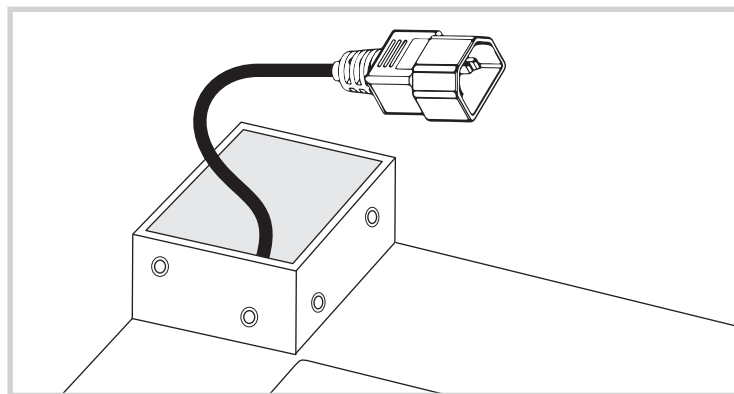
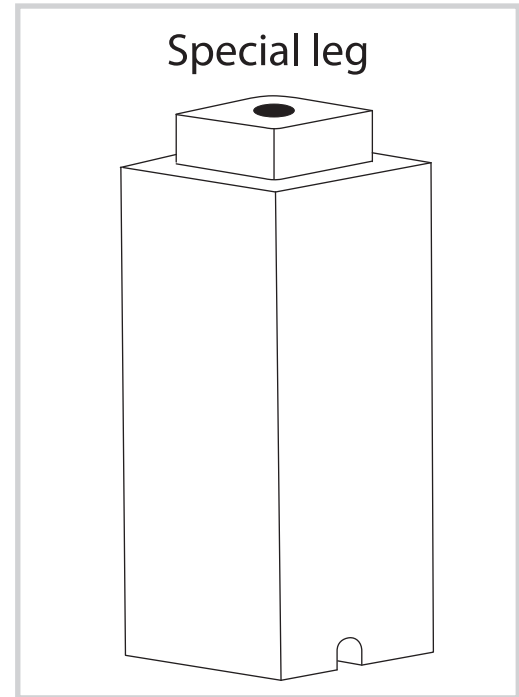
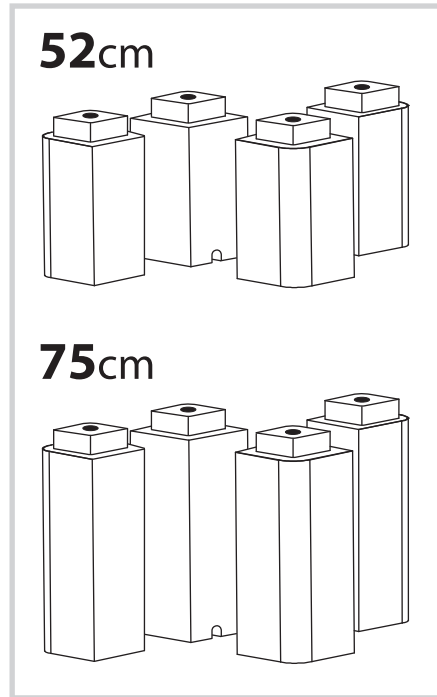
Remove plastic guards on the table and legs.



3 Identify the appropriate leg set for the desired installation.

Two sets of legs are available to raise the table top to 52cm (suitable for children aged 3 to 5 years) and 75cm (suitable for children aged 5 to 8 years) from the ground, respectively.

Each leg set consists of 3 identical legs and 1 unique leg with a cable hole at the bottom for the power cable.

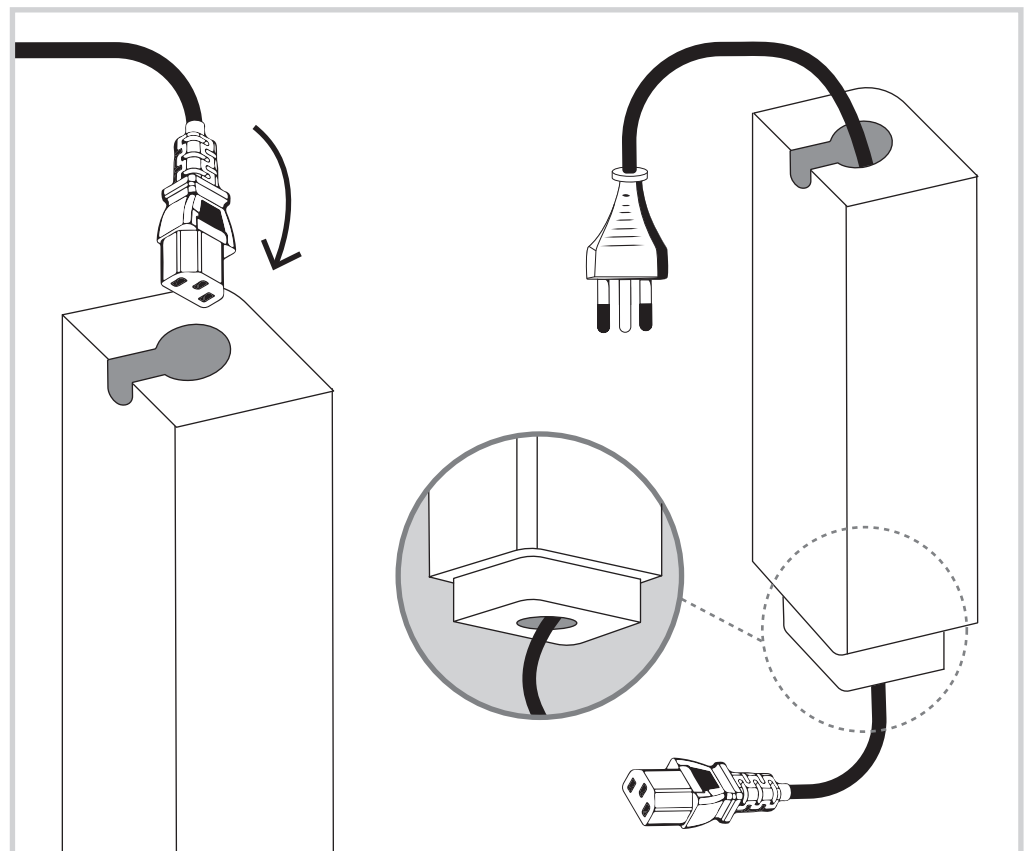


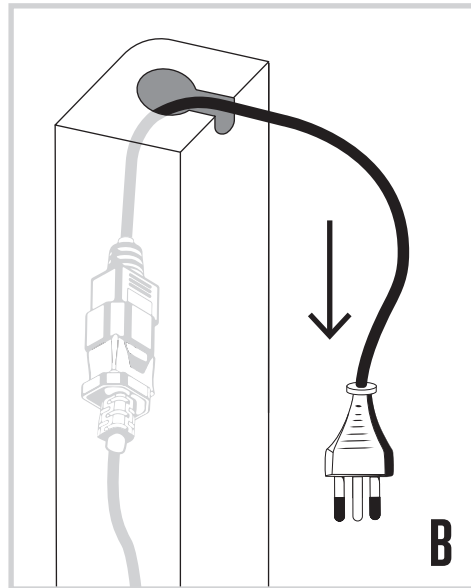
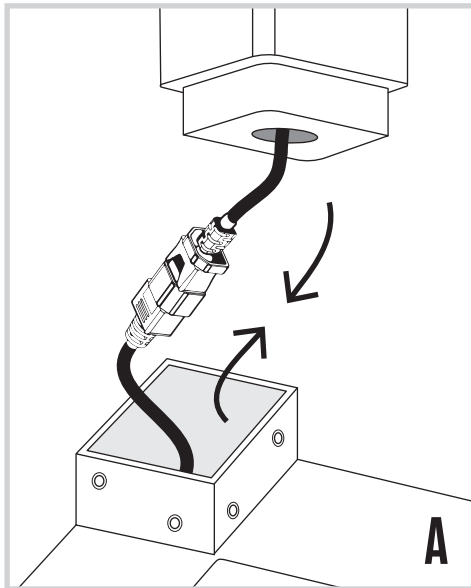
4 Locate the corner of the table where the first part of the power cable exits; this is where the special leg will be installed

5 Special through-leg wiring

Take the special leg with a grommet hole at the bottom.

Insert the power cable, IEC socket side down, into the grommet hole and slide it gently until the socket emerges.





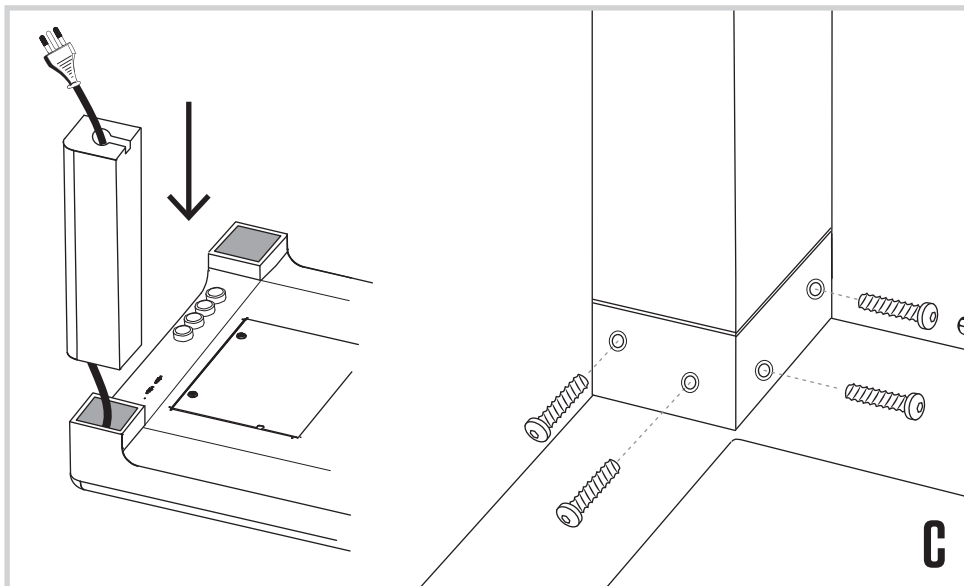
6 Now bring the previously wired special feed-through leg to the anchorage of the table.

Firmly connect the IEC female cable to the cable from the interactive table (A).

Gently pull the power cable (B) from the plug side out of the grommet hole in the leg.

Place the leg in the appropriate anchorage, and using the appropriate allen screw, tighten the 4 screws one at a time to secure the special leg to the table (C).

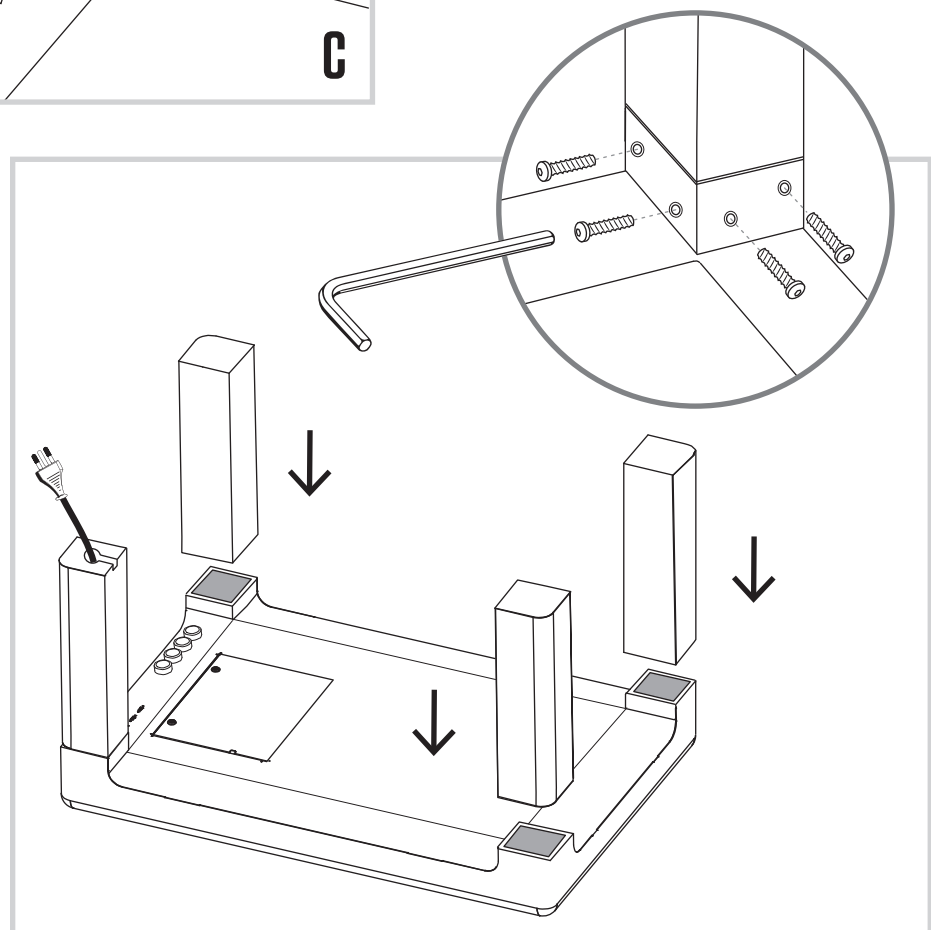
It is advisable to carry out a partial tightening, checking that all 4 screws do not present any problems when tightening.



7 Place the first leg (one of the 3 identical ones) in the appropriate anchorage and tighten it by screwing slightly the 4 screws supplied.

Using the Allen key, tighten the 4 screws one at a time. It is recommended to do a partial tightening by checking that all 4 screws do not have problems during tightening.

Proceed to complete screwing. Repeat the operation for the remaining legs.



INSTALLATION OF MULTIFUNCTIONAL SHELF E77-ED4XB2 (optional)

The multifunctional shelf is designed to accommodate a Notebook or mini PC and connect it to the table as a second data source. It is recommended that this shelf be installed only if it is really necessary and to ensure that children and people cannot pass under the table.

For shelf assembly, see page 13.

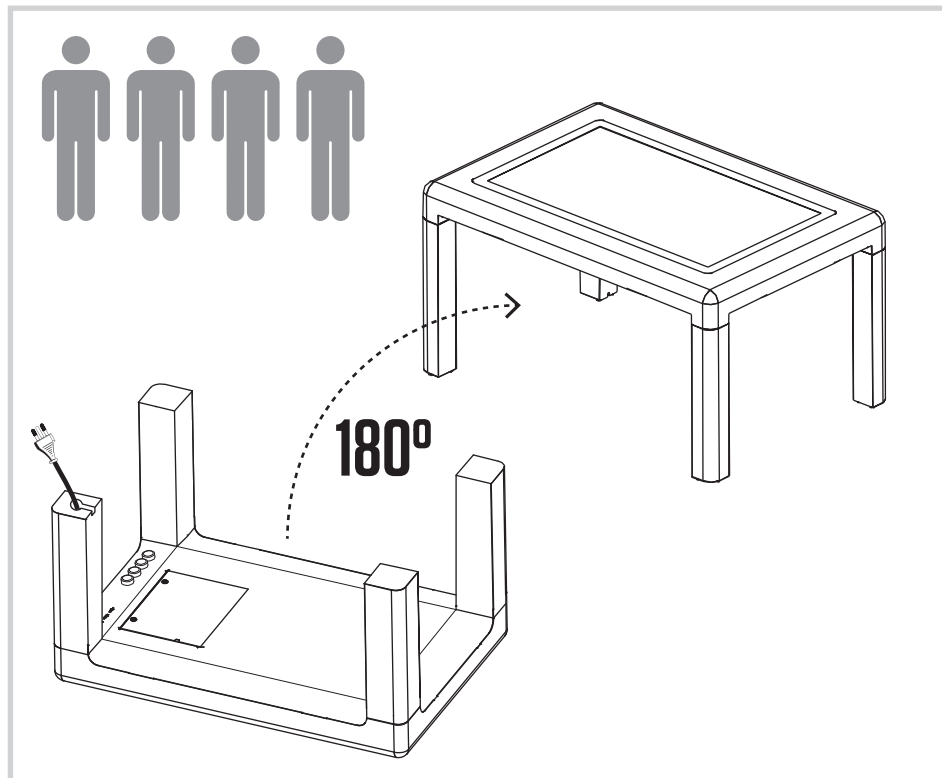


TABLE POSITIONING

You can now rotate the table 180 degrees and place it on its legs. The rotation must take place without pivoting on the legs themselves and must be performed by complete rotation in one movement.

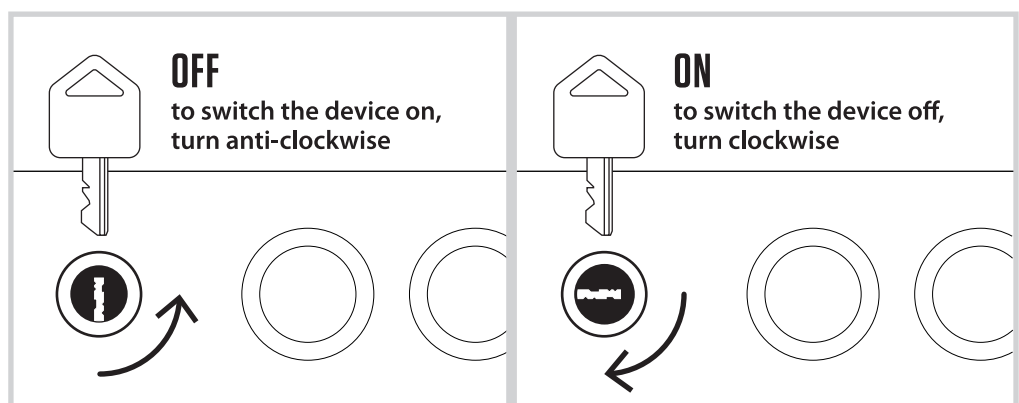
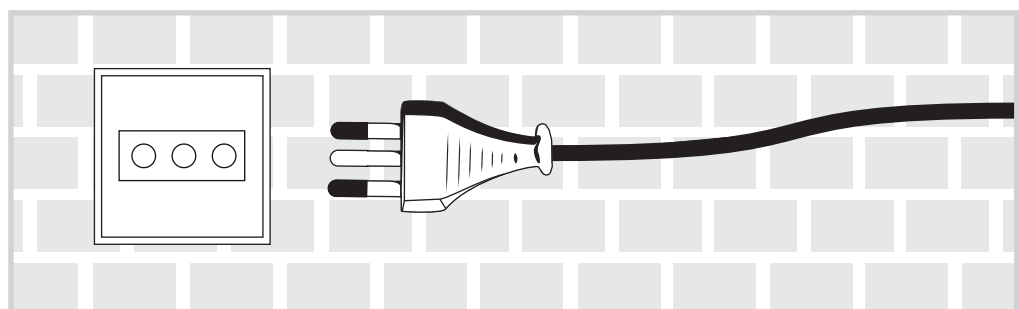
This operation requires the intervention of at least 3 people, and we suggest 4; 2 persons on each side, especially in the case of longer legs.

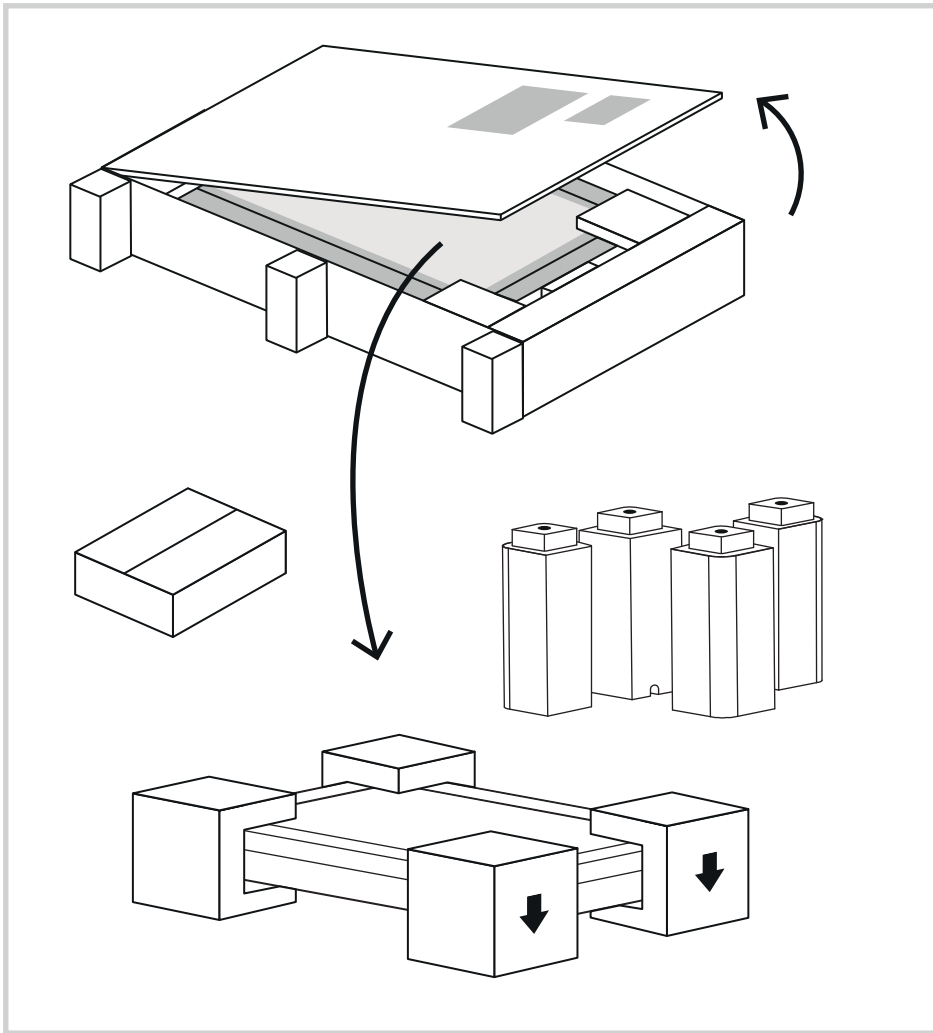
Take care that a leg or other object does not crush the power cable.

FINAL OPERATIONS

Connect the plug to an earthed socket.

You can now switch on the interactive table according to the instructions described below.





1 Place the table near where it will be installed (move it vertically). Cut the plastic straps and open the hinges.

Open the wooden box and take out all contents: 4 short legs + accessory box (cables, screws, etc.)

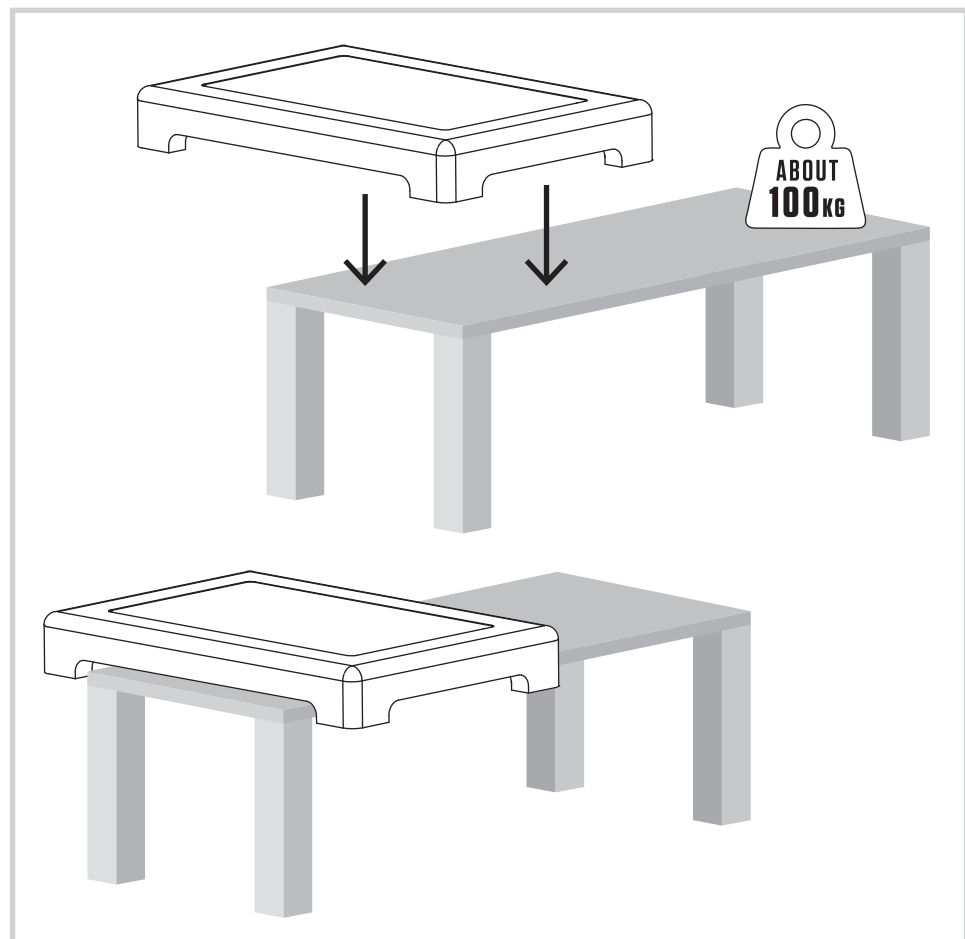
2 Place the table, arrow pointing downwards, on the floor where you have previously placed a cloth of a suitable thickness, avoid damaging it.

Remove plastic guards on the table and legs.

3 Find a support table with a depth of no more than 80 cm and capable of bearing a load of about 100 kg capacity.

Place the interactive straddle table on the support table.

To do this, move the interactive table and place its long side astride the short side of the support table.

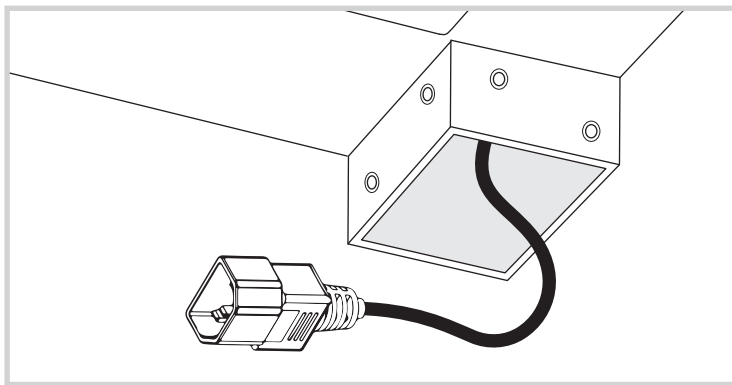
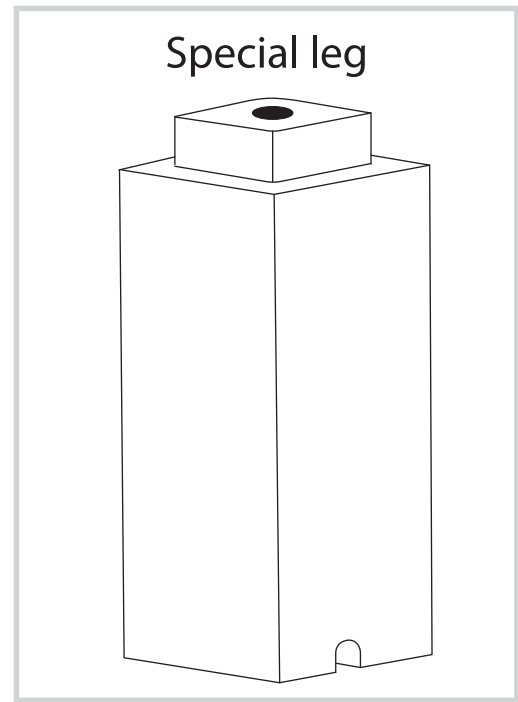
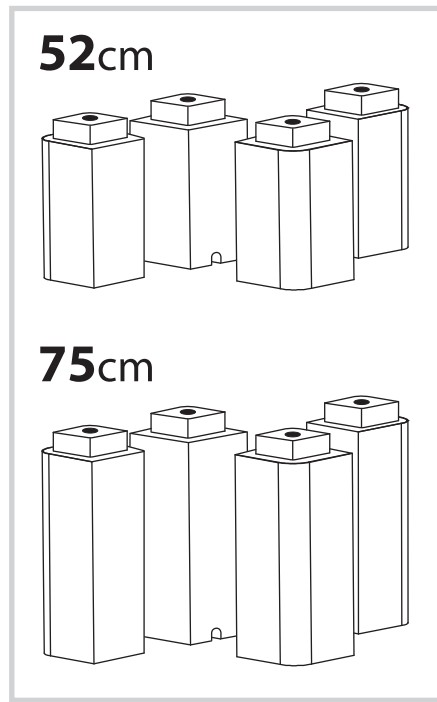




4 Identify the appropriate leg set for the desired installation.

Two sets of legs are available to raise the table top to 52cm (suitable for children aged 3 to 5 years) and 75cm (suitable for children aged 5 to 8 years) from the ground, respectively.

Each leg set consists of 3 identical legs and 1 special leg with a cable hole at the bottom for the power cable.

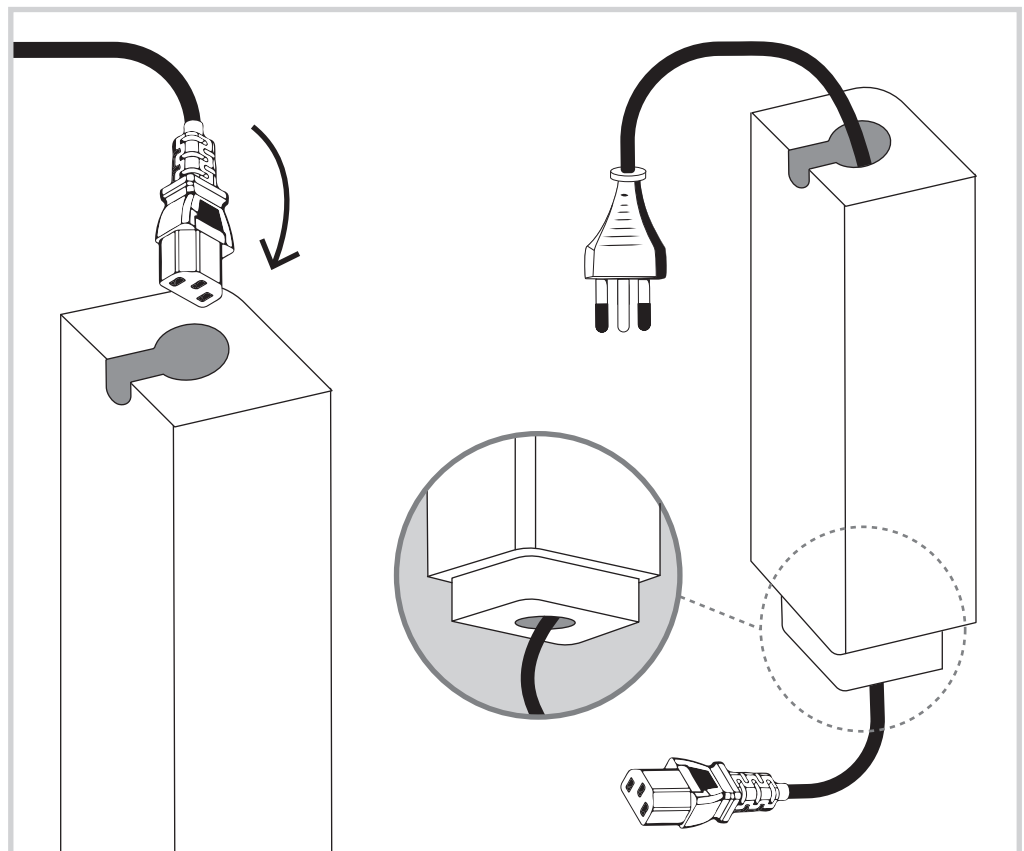


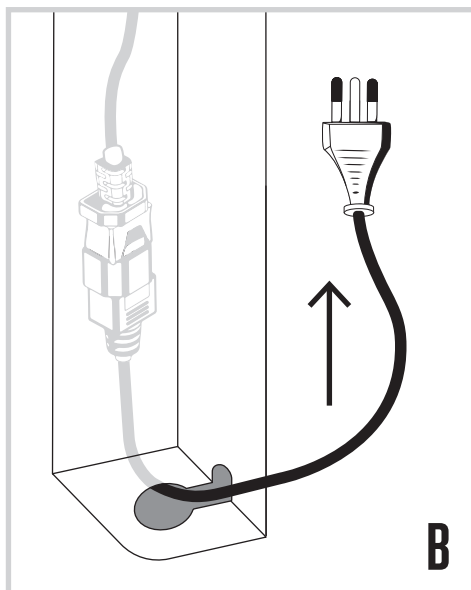
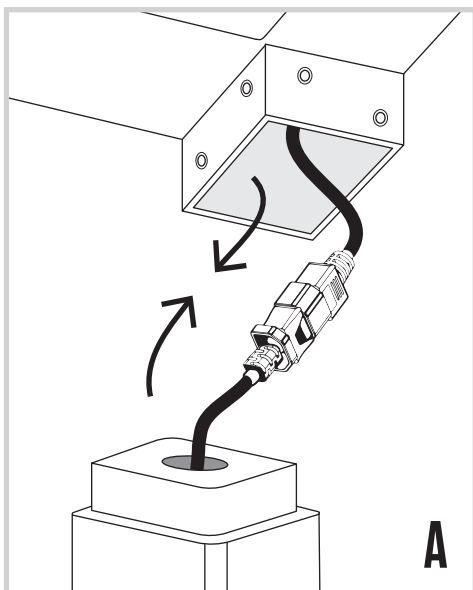
5 Locate the corner of the table where the first part of the power cable exits; this is where the special leg will be installed.

6 Special through-leg wiring

Take the special leg with a grommet hole at the bottom.

Insert the power cable, IEC socket side down, into the grommet hole and slide it gently until the socket emerges.

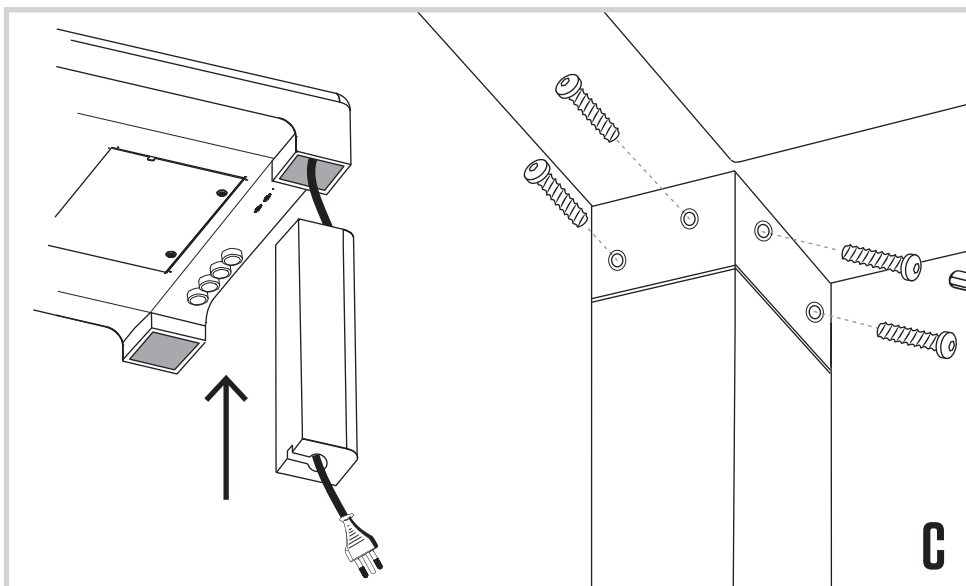




7 Now bring the previously wired special feed-through leg to the anchorage of the table.

Firmly connect the IEC female cable to the cable from the interactive table (A). Gently pull the power cable (B) from the plug side out of the grommet hole in the leg.

Place the leg in the appropriate anchorage, and using the appropriate Allen screw, tighten the 4 screws one at a time to secure the special leg to the table (C).



It is advisable to carry out a partial tightening, checking that all 4 screws do not present any problems when tightening.

8 Approach the first leg (one of the 3 identical ones) to the appropriate anchorage and tighten it by lightly screwing in the 4 screws provided.

Using the appropriate Allen tighten the 4 screws one at a time. It is recommended to carry out a partial tightening by checking that all 4 screws do not present any problems during tightening.

Proceed to complete screwing. Repeat the operation for the remaining legs.

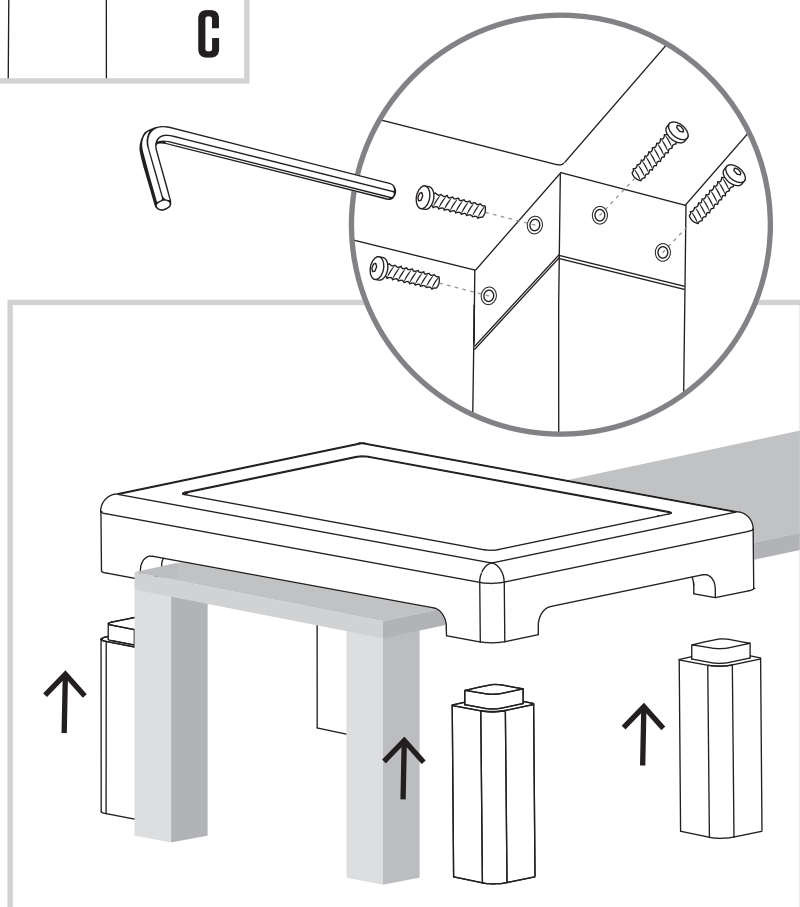
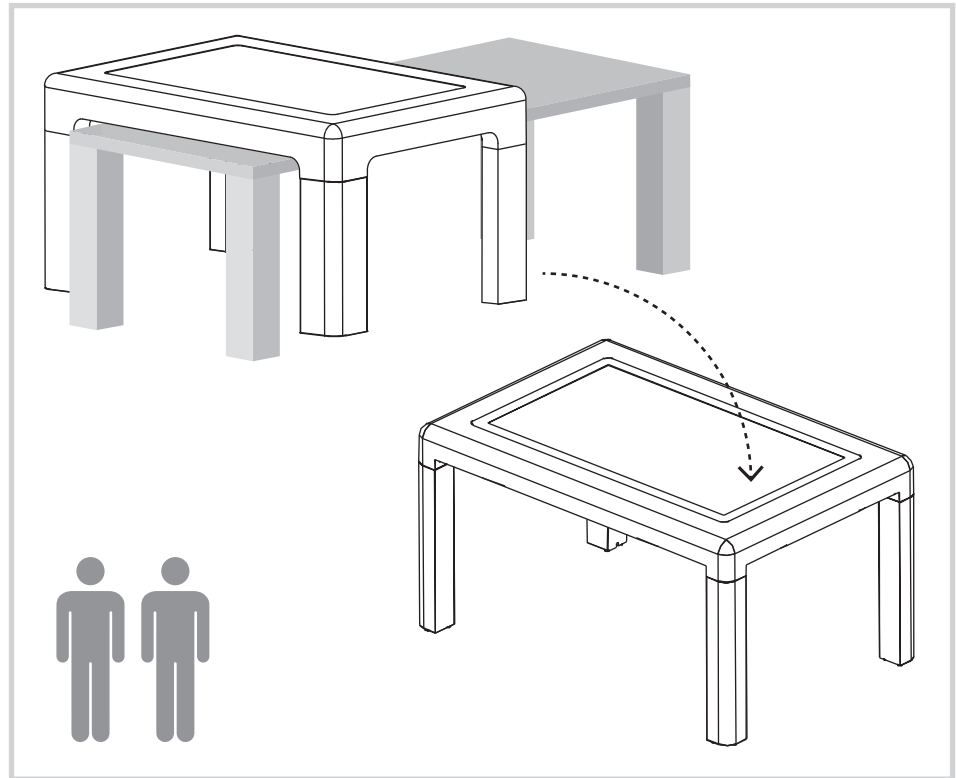




TABLE POSITIONING

The interactive table can now be placed on the floor. Two or more people can lift it and move it to the desired place.

Take care that a leg or other object does not crush the power cable.



INSTALLATION OF MULTIFUNCTIONAL SHELF E77-ED4XB2 (optional)

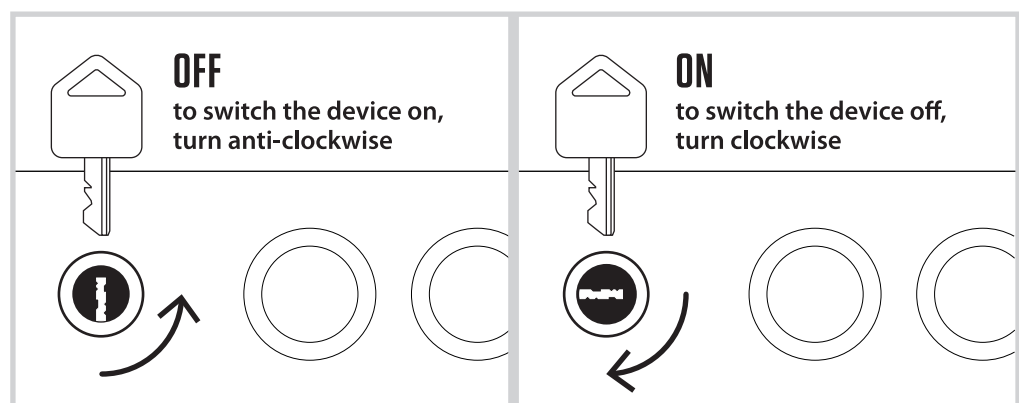
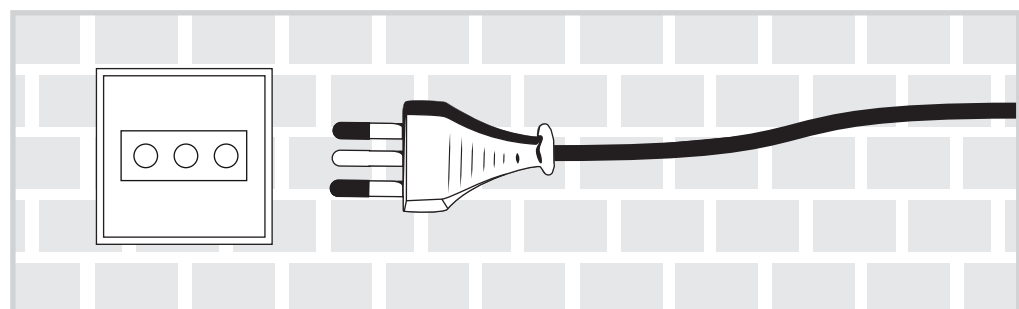
The multifunctional shelf is designed to accommodate a Notebook or mini PC and connect it to the table as a second data source. It is recommended that this shelf be installed only if it is really necessary and to ensure that children and people cannot pass under the table.

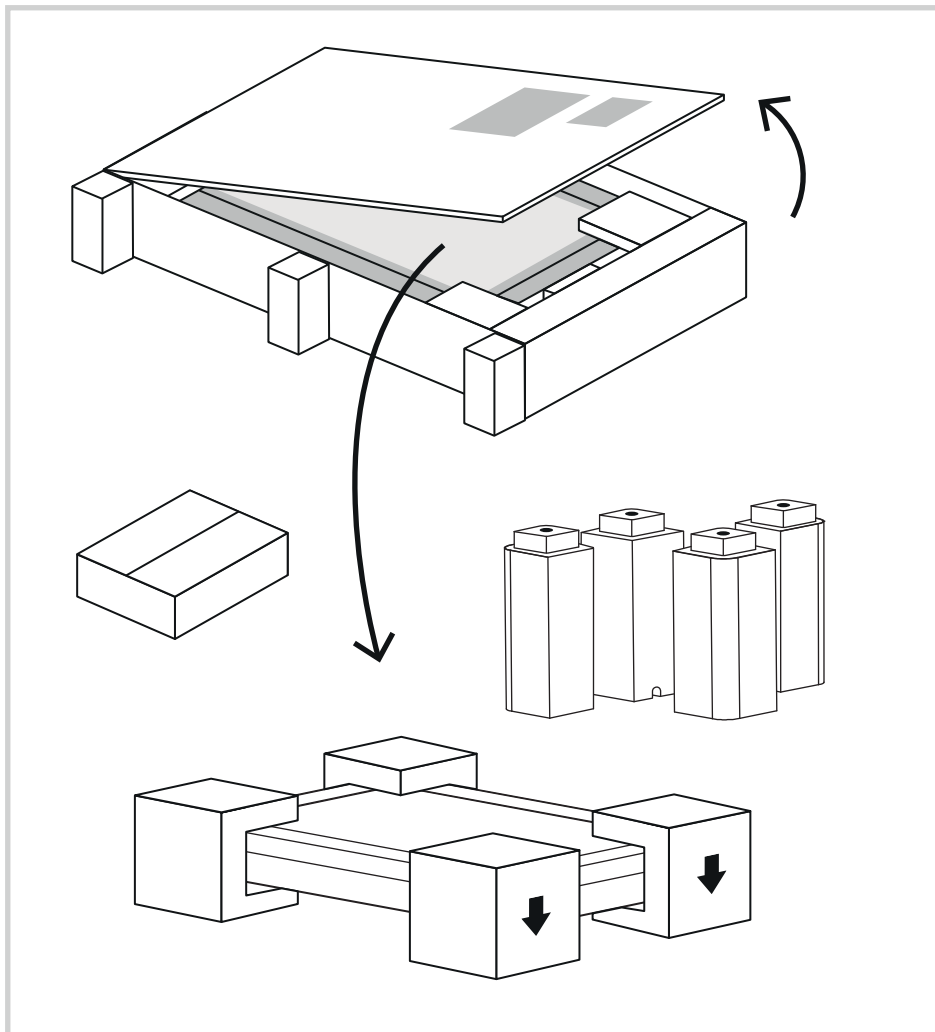
For shelf assembly, see page 13.

FINAL OPERATIONS

Connect the plug to an earthed socket.

You can now switch on the interactive table according to the instructions described below.





1 Place the table near where it will be installed (move it vertically). Cut the plastic straps and open the hinges.

Open the wooden box and take out all contents: 4 short legs + accessory box (cables, screws, etc.)

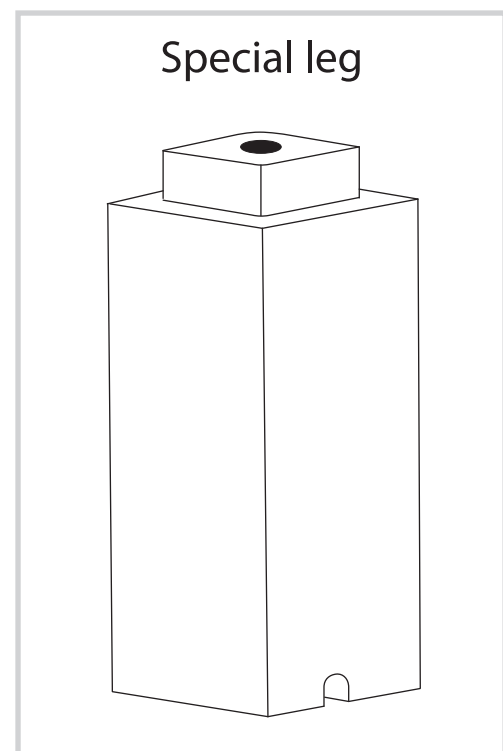
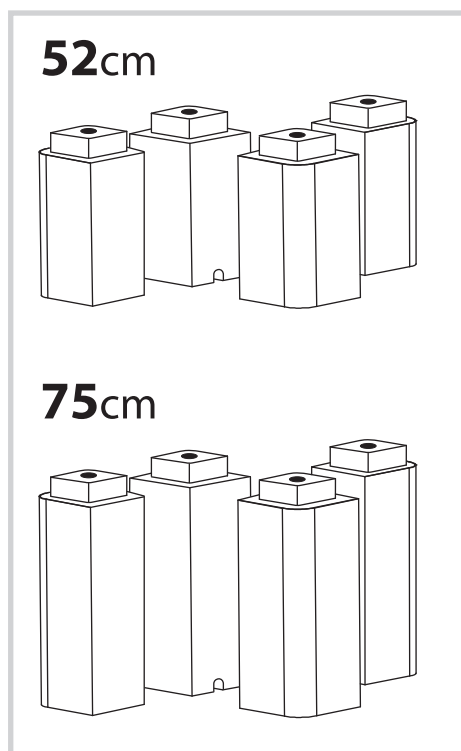
2 Place the table, arrow pointing downwards, on the floor where you have previously placed a cloth of a suitable thickness, avoid damaging it.

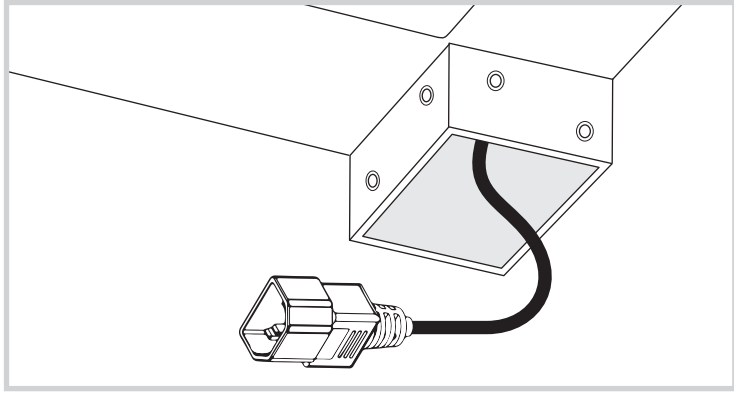
Remove plastic guards on the table and legs.

3 Identify the appropriate leg set for the desired installation.

Two sets of legs are available to raise the table top to 52cm (suitable for children aged 3 to 5 years) and 75cm (suitable for children aged 5 to 8 years) from the ground, respectively.

Each leg set consists of 3 identical legs and 1 special leg with a cable hole at the bottom for the power cable.





4

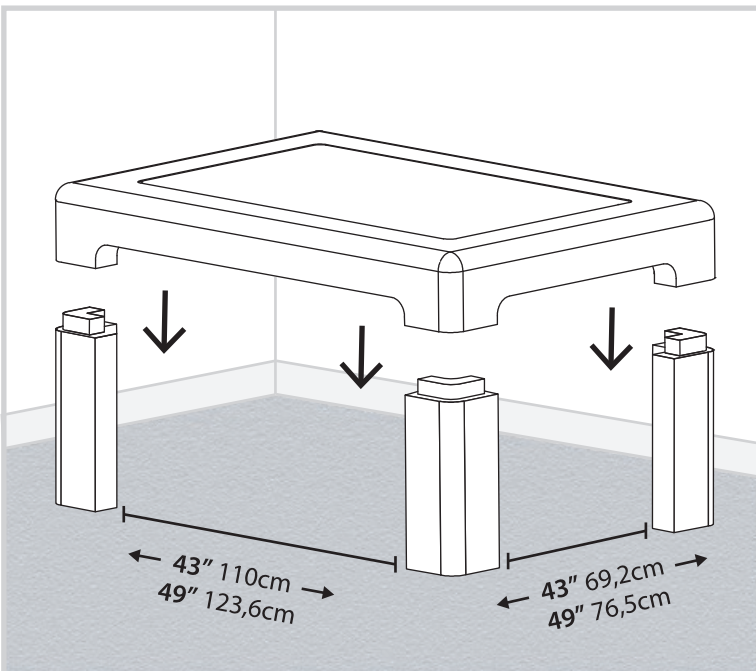
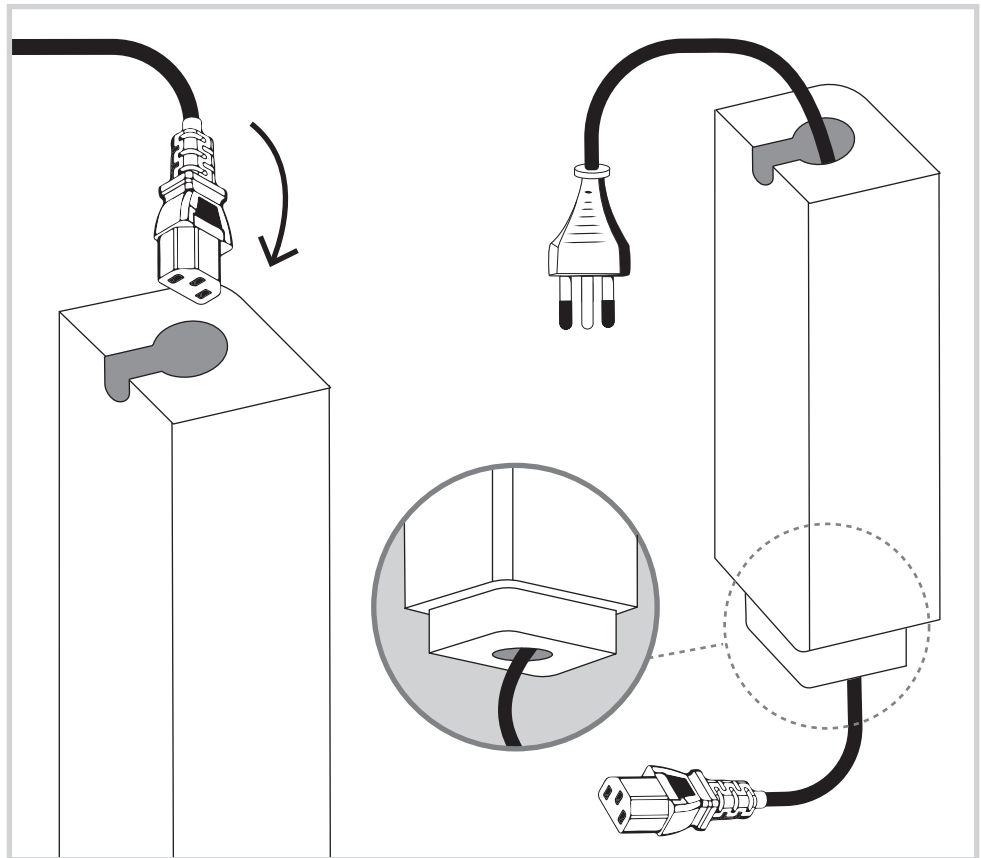
Locate the corner of the table where the first part of the power cable exits; this is where the special leg will be installed.

5

Special through-leg wiring

Take the special leg with a grommet hole at the bottom.

Insert the power cable, IEC socket side down, into the grommet hole and slide it gently until the socket emerges.



6

Place the 3 identical legs on the floor upright and at the insertion points on the table.

Lift the interactive table; at least 3 people must carry out this operation.

Align the table on top of the 3 identical legs previously positioned, checking that the corner of the table where the power cable exits remains free.

One person ensures that the legs are correctly positioned in the anchorages on the interactive table.

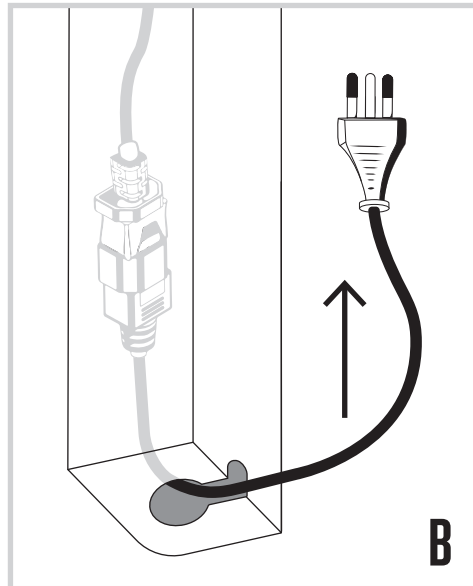
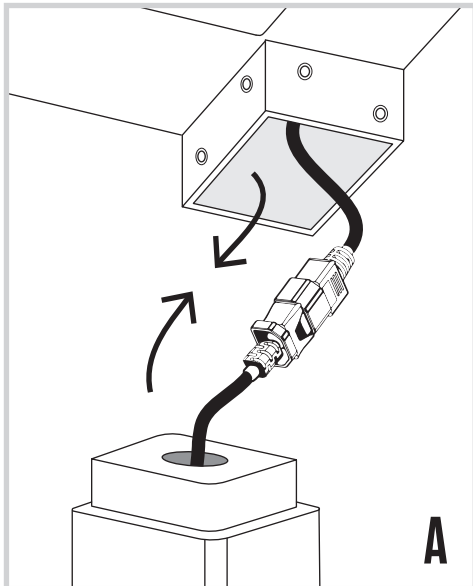
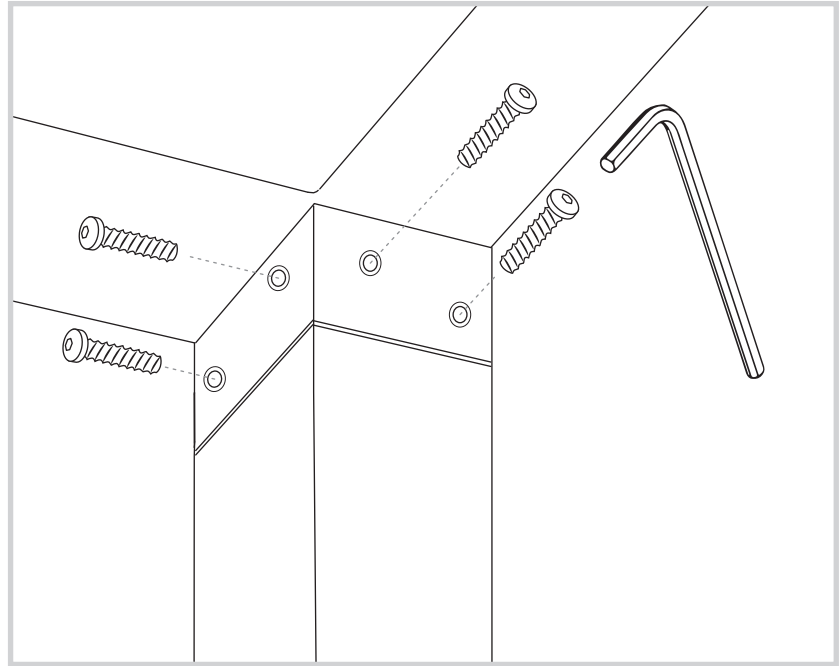


7 DO NOT MOUNT THE SPECIAL LEG

While one person supports the table where is absent the leg, the other people can proceed to tighten the clamping screws of the other 3 legs.

Using the Allen key, tighten the 4 screws one at a time. It is recommended to carry out a partial tightening by checking that all 4 screws do not present any problems during tightening.

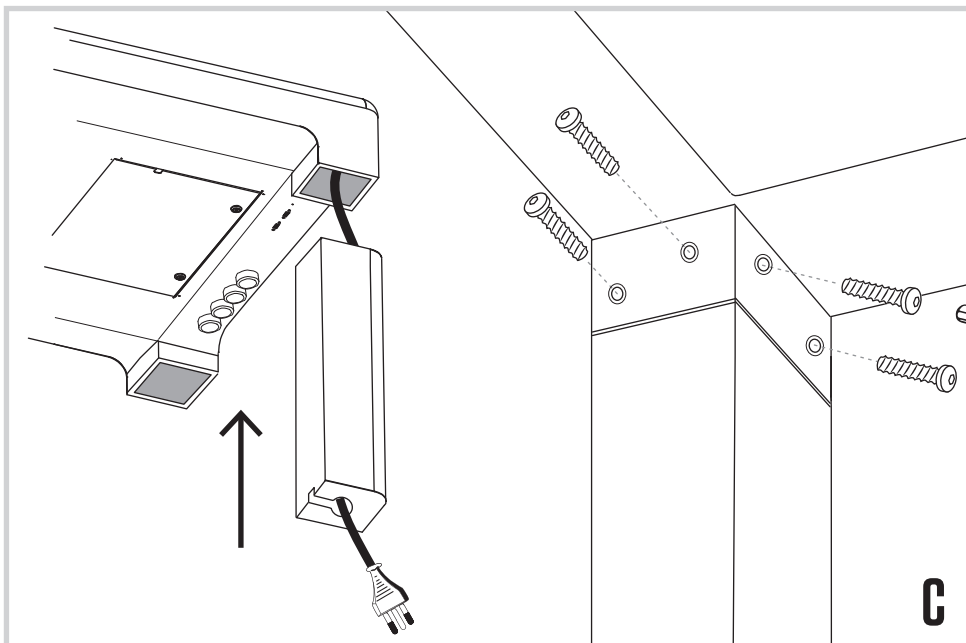
Proceed with complete screwing and repeat the operation for the remaining legs.



8 Now bring the previously wired special feed-through leg to the anchorage of the table.

Firmly connect the IEC female cable to the cable from the interactive table (A). Gently pull the power cable (B) from the plug side out of the grommet hole in the leg.

Place the leg in the appropriate anchorage, and using the appropriate Allen screw, tighten the 4 screws one at a time to secure the special leg to the table (C).



It is advisable to carry out a partial tightening, checking that all 4 screws do not present any problems when tightening.



INSTALLATION OF MULTIFUNCTIONAL SHELF E77-ED4XB2 (optional)

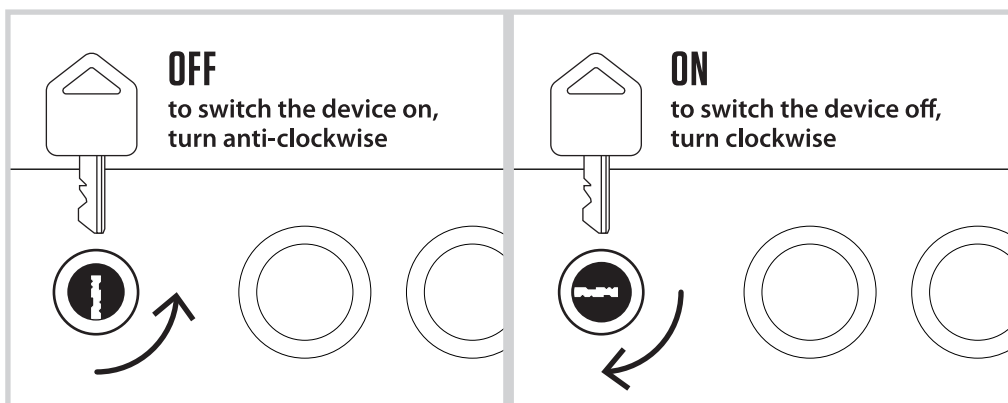
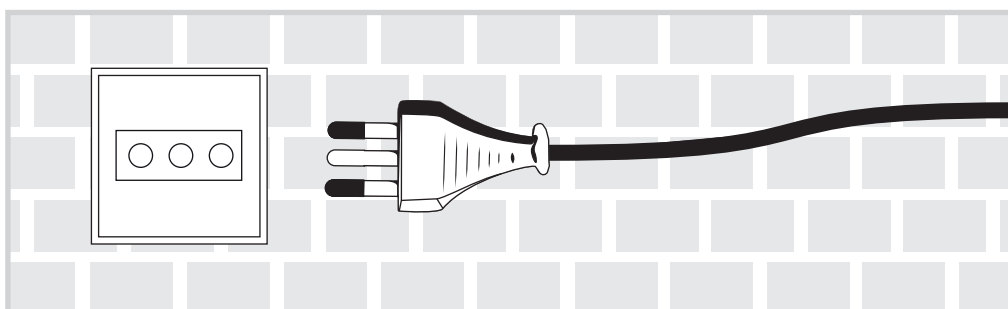
The multifunctional shelf is designed to accommodate a Notebook or mini PC and connect it to the table as a second data source. It is recommended that this shelf be installed only if it is really necessary and to ensure that children and people cannot pass under the table.

For shelf assembly, see page 13.

FINAL OPERATIONS

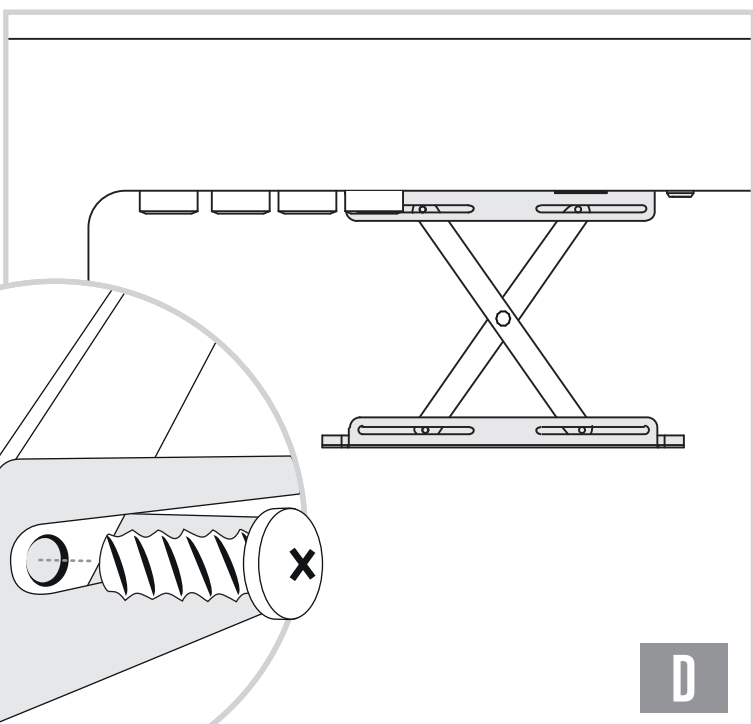
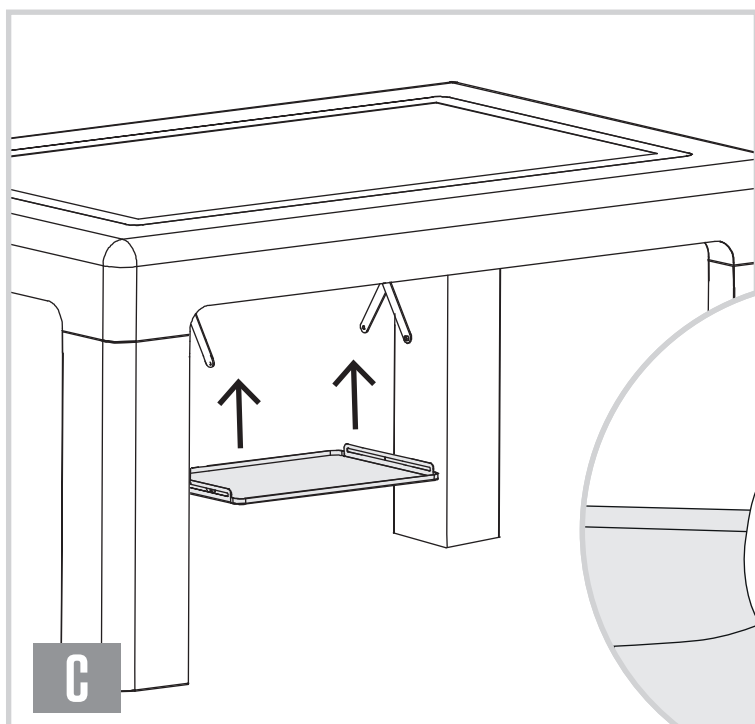
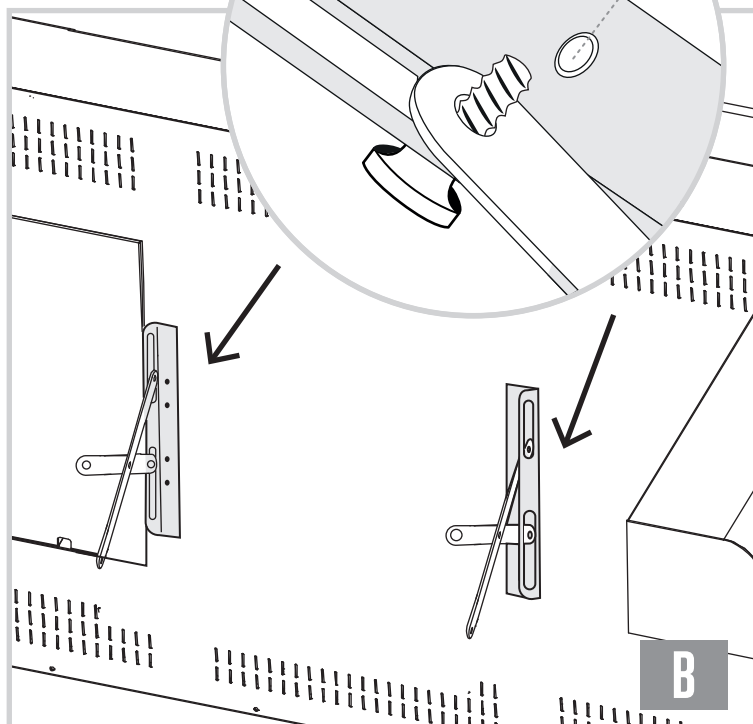
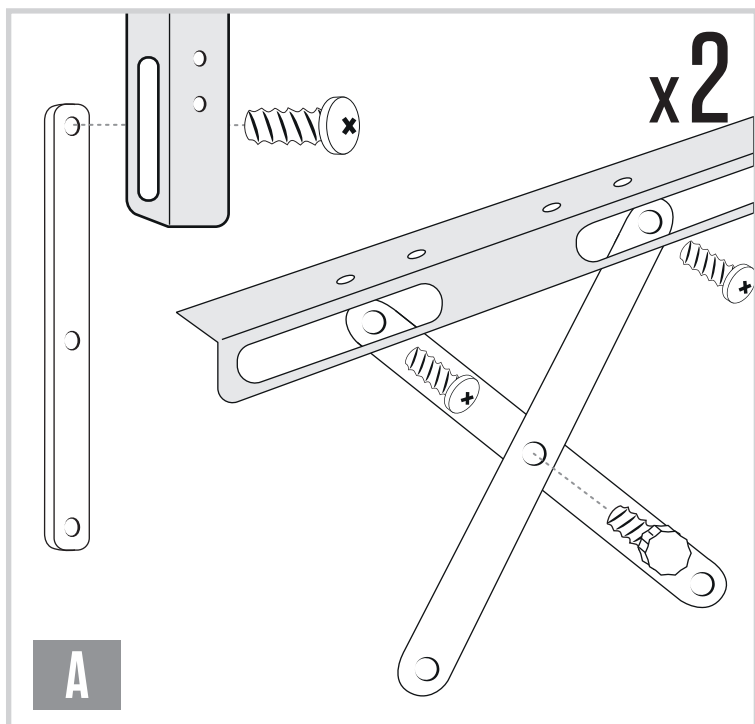
Connect the plug to an earthed socket.

You can now switch on the interactive table according to the instructions described below.





The multifunctional shelf, which can be purchased separately, is designed to accommodate a Notebook, MiniPC or DVD player and connect it to the table as a second data source. It is recommended that this shelf be installed only if it is really necessary to ensure that children and people cannot pass under the table.



OPERATIONS MANUAL

Thank you for choosing this product.

This manual contains detailed information on using the product and should be used as a reference for any problems or information.

For in-depth information and updates, consult the online material (documentation and videos). Carefully read the attached warnings.

It is recommended that students be made aware of the correct use of the interactive table

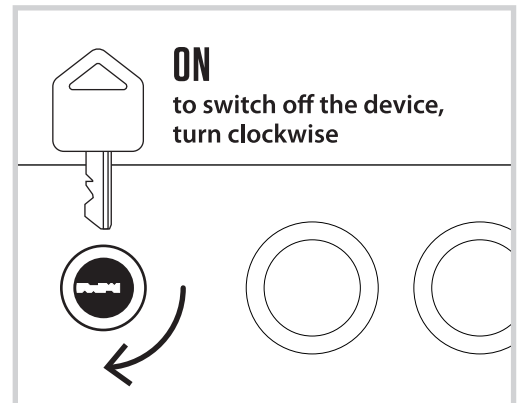
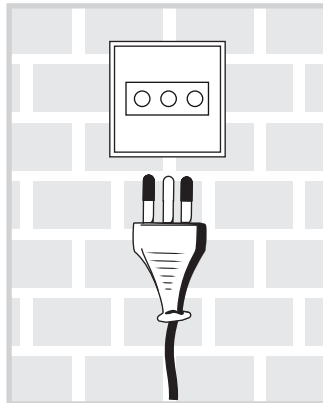
PACKAGING PRESERVATION

The packaging in which the Zero Edge interactive table was delivered must be kept throughout the warranty period.


Carefully keep the box containing the installation kit.

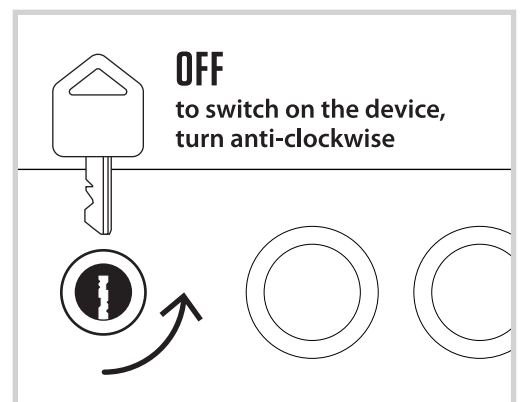
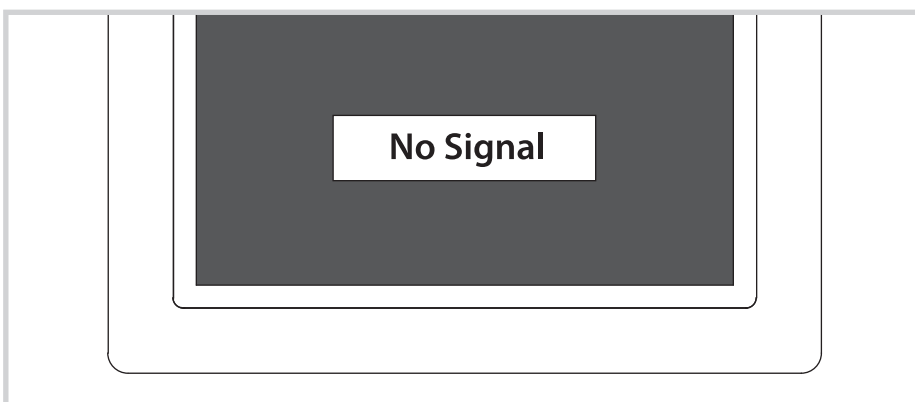
INTERACTIVE TABLE SWITCH-ON

- Insert the power plug into the power socket.
- The device has an on/off switch with a protection key.
- Insert the key into the under the interactive table.
- Turn the key and pull it out (this will prevent unintentional switch-off).
- The device will boot up and, after a few minutes, will be ready to use.



INTERACTIVE TABLE SWITCH-OFF

- Shutdown occurs in 2 steps (Software and Hardware).
- Once the control bar appears at the bottom Edge, tap on  and type "Power Off". This will shut down the Android device controlled.
- After a few seconds, the display will show **No Signal**.
- Now insert the on/off key into the lock and turn it.
- Now, remove the key. The monitor should immediately switch off.

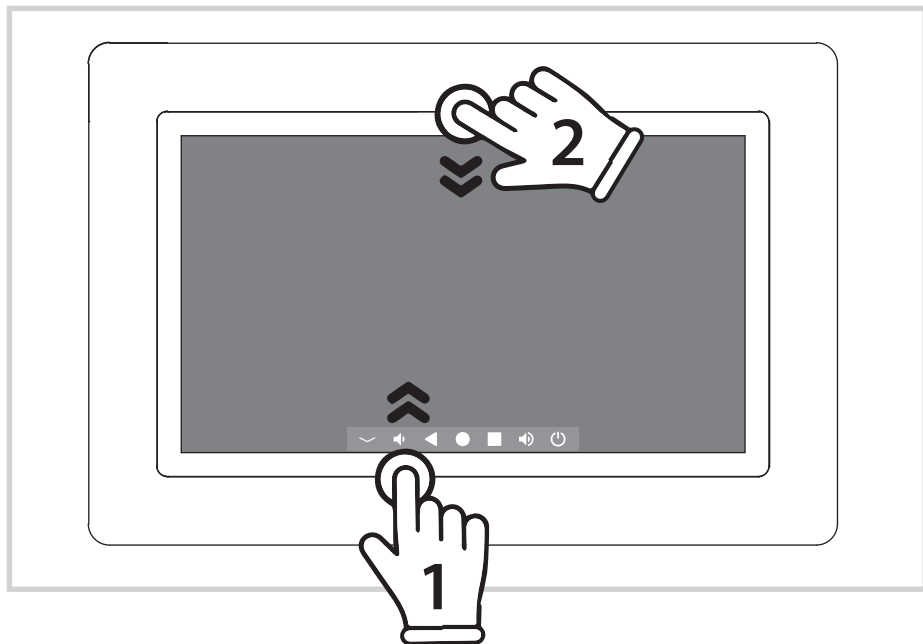


ACCESSING THE ANDROID CONTROL BAR

The Android multifunctional control bar can be hidden on the home page.

When an application is launched, the bar is no longer displayed.

To call it up, **swipe your finger from bottom to top** (1) near the middle of the bottom border; **if the application does not allow this, swipe from top to bottom** (2) near the top border.



USEFUL COMMANDS

The multifunctional control bar allows the following operations to be carried out::



HIDE THE CONTROL BAR
tap to hide the control bar.



VOLUME CHANGE
Tap on VOL+ / VOL- to increase or decrease the volume of the built-in speakers. A bar near the right Edge will display the active volume level.



PREVIOUS
touch the arrow to return to the previous page (where applicable).



HOME
tap to access the home screen.




SQUARE
allows all open applications to be displayed and closed.

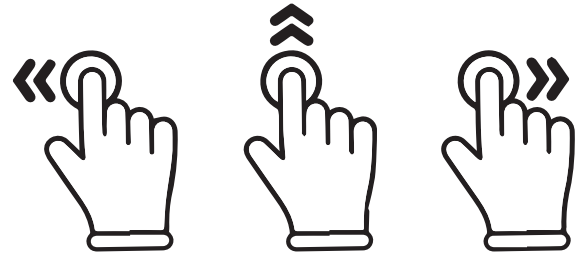


SHUTDOWN/RESTART
tap to switch off/restart the system.

CLOSING APPS AND OPTIMIZING RAM MEMORY

Opening multiple apps can lead to system slowdown. It is suggested that unused APPs be closed periodically. To do this, proceed as follows:

- Displaying the multifunctional control bar
- Touch the symbol 
The running applications will now be displayed
- Close the desired app by swiping upwards. Place your finger on the app to be closed and drag it to the upper edge until it disappears from the screen (the side swipe allows you to move between apps in the background).



NETWORK CONNECTION AND USB PORTS

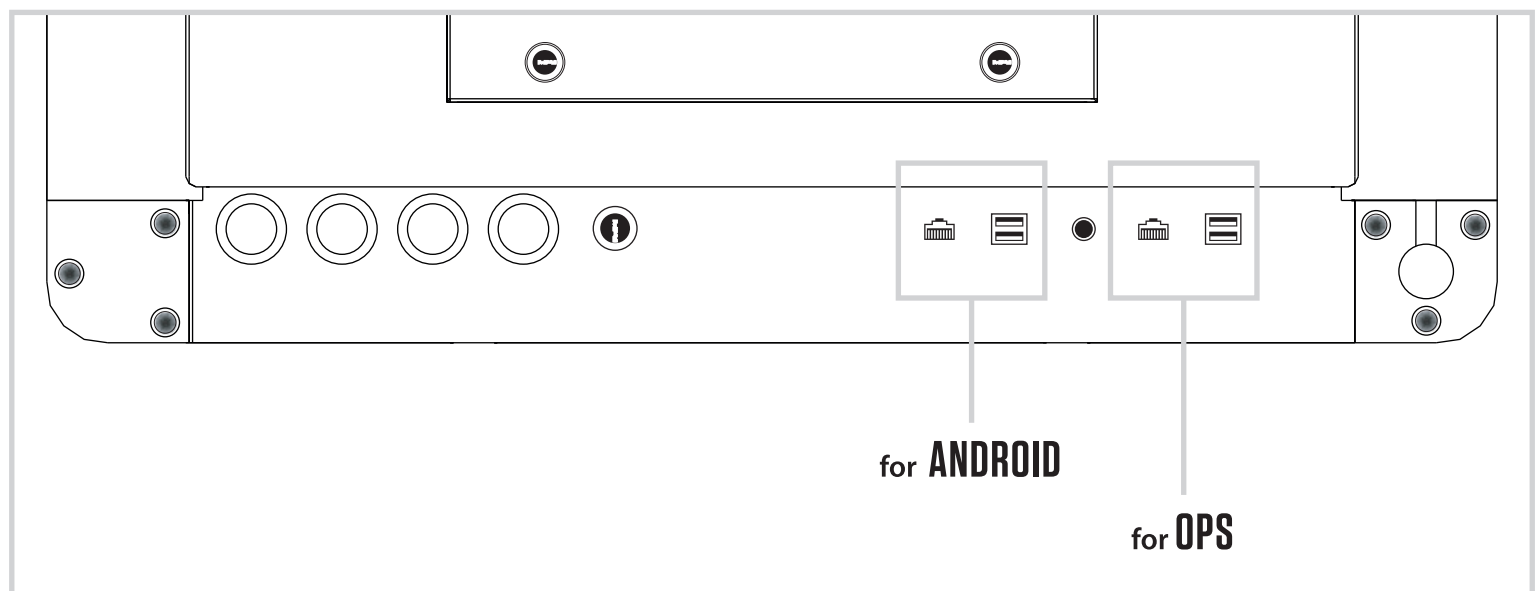
- The interactive table can be connected to the network in wired or wireless mode.
- Connect an Ethernet cable to the RJ45 LAN port under the side edge of the table (next to the label with the word ANDROID).
- For a wireless connection, use the built-in wireless client (2.4/5 GHz) in the following manner.
- Go to Home (click on the square in the control bar) and tap on:

Settings -> Network & Internet -> Internet

- All detected wireless networks will be displayed.
- Tap on the wireless network to which you wish to connect the interactive table.
- Enter the password and tap on **Connect**.
- After a few moments, the device will connect to the selected network.

The table is equipped **with 4 USB ports and 2 RJ45 LAN ports**.

When using the internal Android board, use the ports near the label marked ANDROID, and when using the OPS, use the ports near the label marked OPS.



LANGUAGE

Go to Home (click on the square in the control bar) and tap on

Settings -> System -> Language & Input

The installed languages will be displayed. The system will use the language in position number one. Additional languages can be added; these will be added to the queue of the already installed languages.

SIZE OF ICONS

You can vary the size of the Icons/Characters on the screen. To do so, go to:

Settings -> System -> Display -> Display Size and Text
Settings -> System -> Display -> Font Size

ROOT

Some applications may require root privileges, while others may require a machine without root privileges. To access these, Go to Home (click on the square in the control bar) and tap on it.

Settings -> User Setting

Here, you can select the **Root** entry to turn root privileges on or off.

READY FOR FUTURE

The **READY_4_FUTURE** solution guarantees the possibility of connecting an OPS (A/C type) inside the table or a next-generation PC, whether Windows/Chrome or Android, outside.

READY_4_FUTURE

The switch button below the table allows the switching of the video signal input and touch connection from the central system to the external computer or OPS.



WARNING !

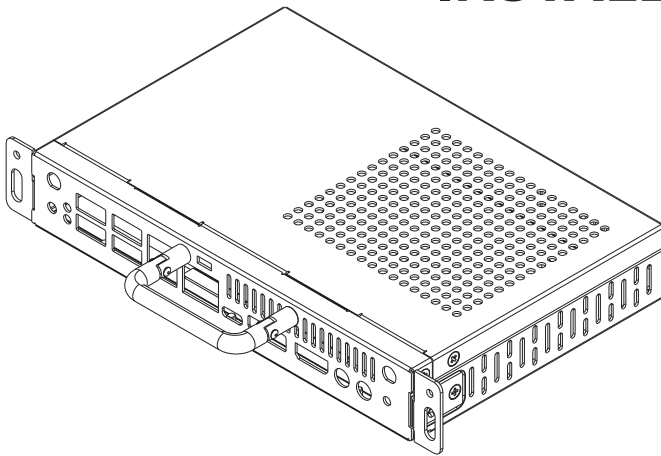
- Before performing any operation, please switch off the Zero Edge table and turn it off from the mains.
- Installation of the OPS module should only be carried out by qualified personnel.
- The installation kit and accessories are contained in the cardboard box.

EXTERNAL PC INSTALLATION

EXTERNAL PC

- Access the compartment under the table and open it using the appropriate key (two locks use the same key).
- Use a suitably long HDMI cable (not included in the package) and insert one side into the HDMI port (marked HDMI2) on the monitor board.
- Locate the USB cable (labelled USB TOUCH) (in case you want to connect the touch to an external control device).
- Run both cables (HDMI and USB TOUCH) through the slot on the closing door.
- Close the lower compartment and lock it with the key.
- Connect the HDMI cable (and, if desired, the USB cable) to the external control device (Windows/Linux PC, Android, DVD player).

OPS INSTALLATION

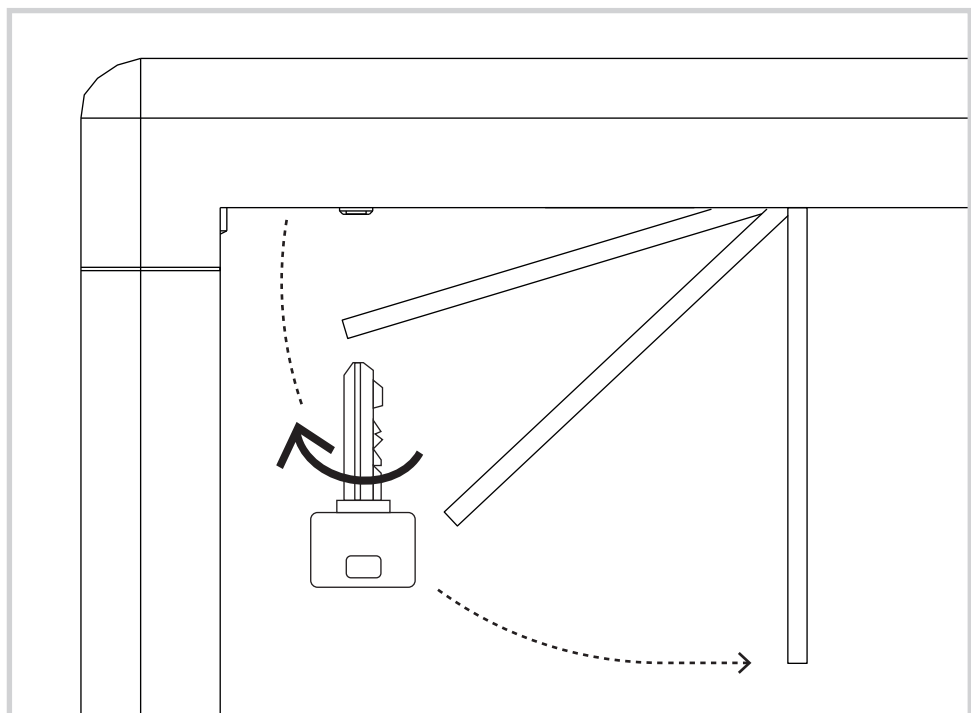


Zero Edge supports several OPS slots (Type A, Type C with depths from 30mm to 42mm) regardless of the operating system. Verify that the OPS power supply is 19VDC (OPS supports a lower power supply, such as 12VDC, which may be damaged if connected).

Use the contents of the accessory box to fix and wire the OPS:

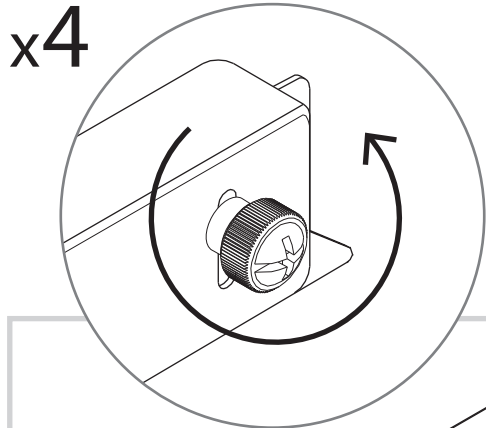
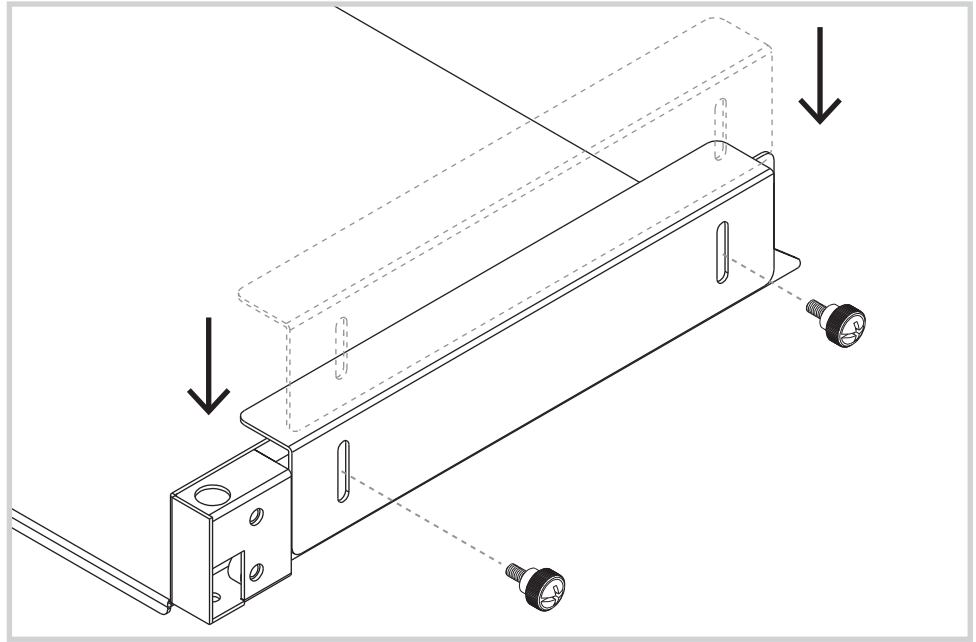
- 2 Long L-shaped fins
- 2 Short L-shaped fins
- 8 Screws
- 4K HDMI cable 50cm
- 30cm USB HUB extension
- OPS adapter

1 Open the door under the interactive table using the keys provided.



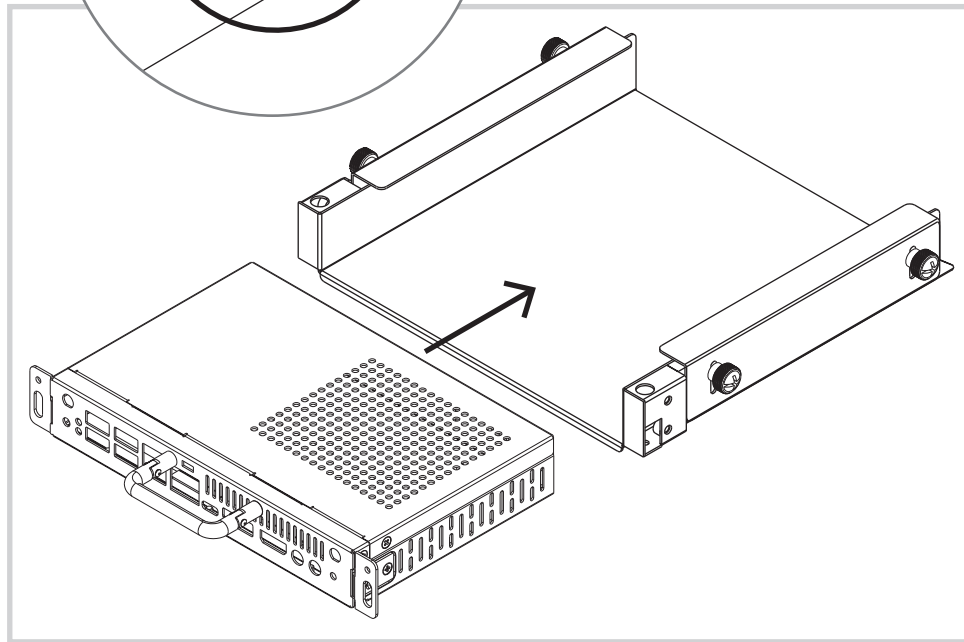
ADDITIONAL OPS INSTALLATION

2 Prepare the two long side flaps and fasten them using the 4 screws provided (2 on each side) without tightening them.

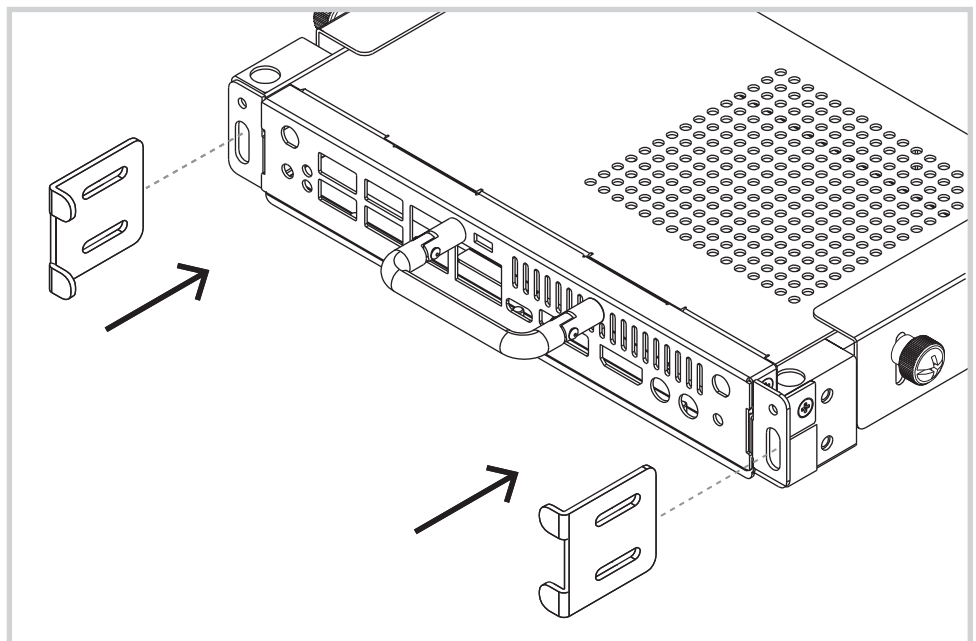


3 Gently insert the OPS (check the direction shown on the figure side) and then adjust the long fins to fit perfectly within their dimensions.

At this point, tighten the 4 screws securely.



4 Position the 2 short L-shaped tabs on the front as shown in the figure opposite.

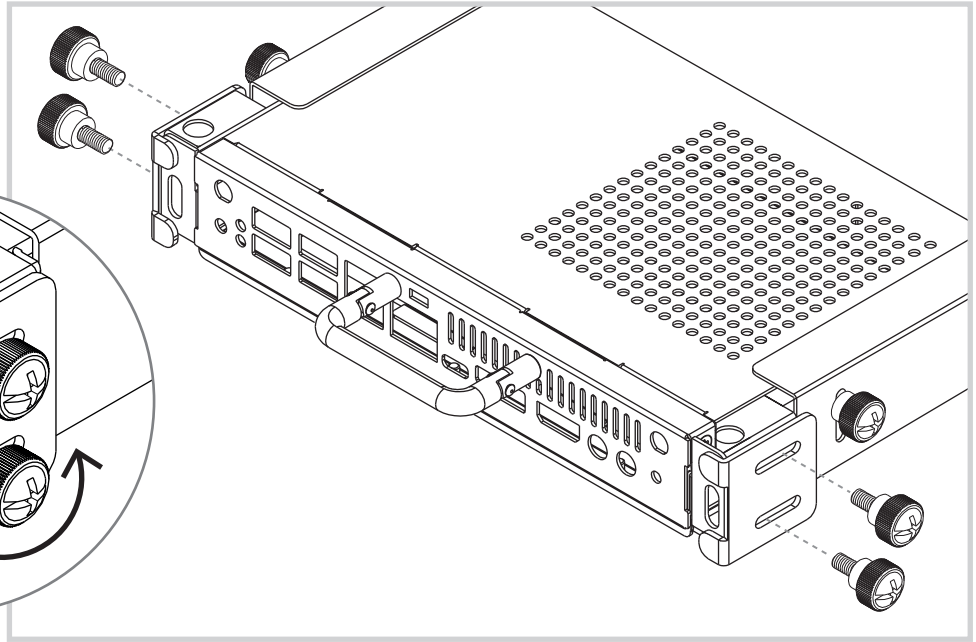
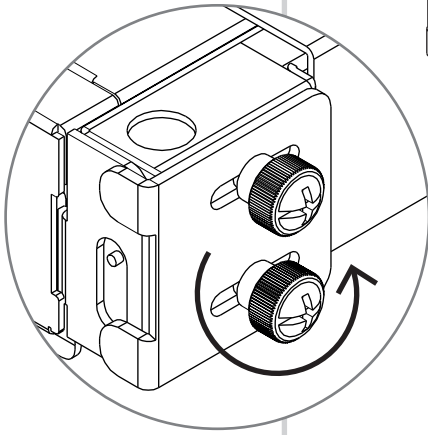


ADDITIONAL OPS INSTALLATION

5

Place the 4 supplied screws (2 on each side) to the side and screw them in firmly.

x4



6

Wire the OPS by connecting it in this order:

ANTENNA CABLES (numero 3 cable)

Screw the cables labelled WI-FI EXTERNAL ANTENNA into the antenna outputs of the OPS. If the OPS only has 2 antennas, it is sufficient to screw only 2 cables.

USB CABLE

Take the extension cable (30cm, found in the accessories box) and connect one side to the USB port (at least 3.0) of the OPS and the other side to the USB HUB cable (labelled USB HUB) attached to the metal frame.

USB TOUCH CABLE

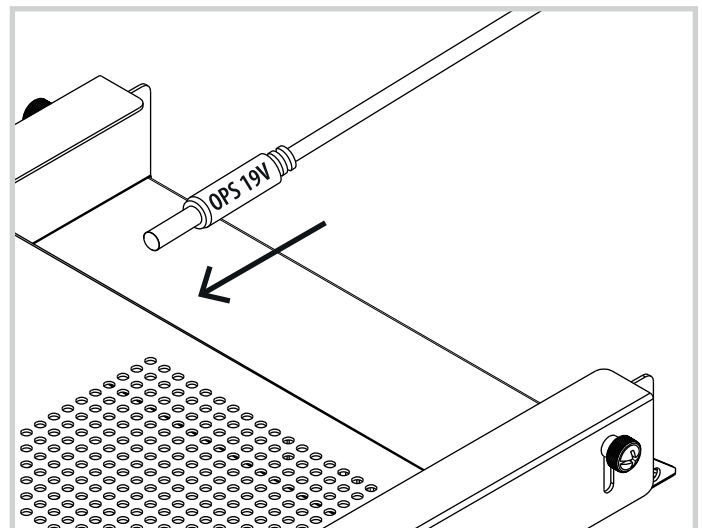
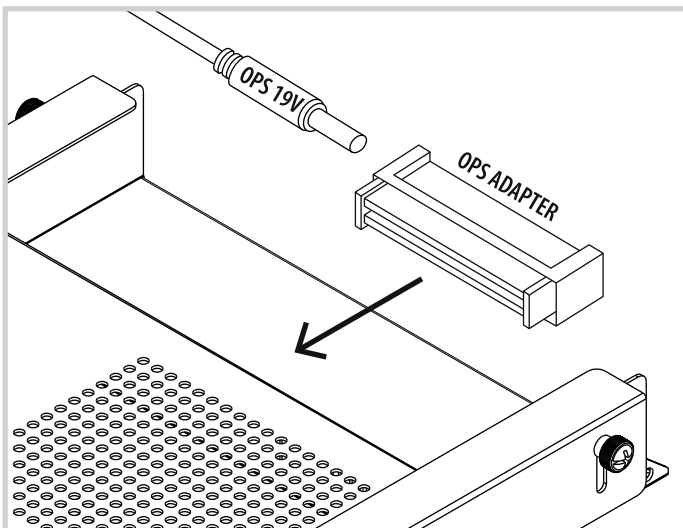
take the cable labelled USB TOUCH and insert it into a USB port (Type 2.0 or 3.0) of the OPS.

HDMI CABLE 50cm

Take the cable labelled HDMI (found in the accessory box) and plug one side into an HDMI output of the OPS and the other side into the HDMI port (labelled HDMI2) on the monitor board.

POWER OPS CABLE

Take the cable labelled OPS 19V and connect it to the rear of the OPS in one of the two ways below.



ADDITIONAL OPS INSTALLATION

WARNING!

The OPS can be switched on in one of the following ways:

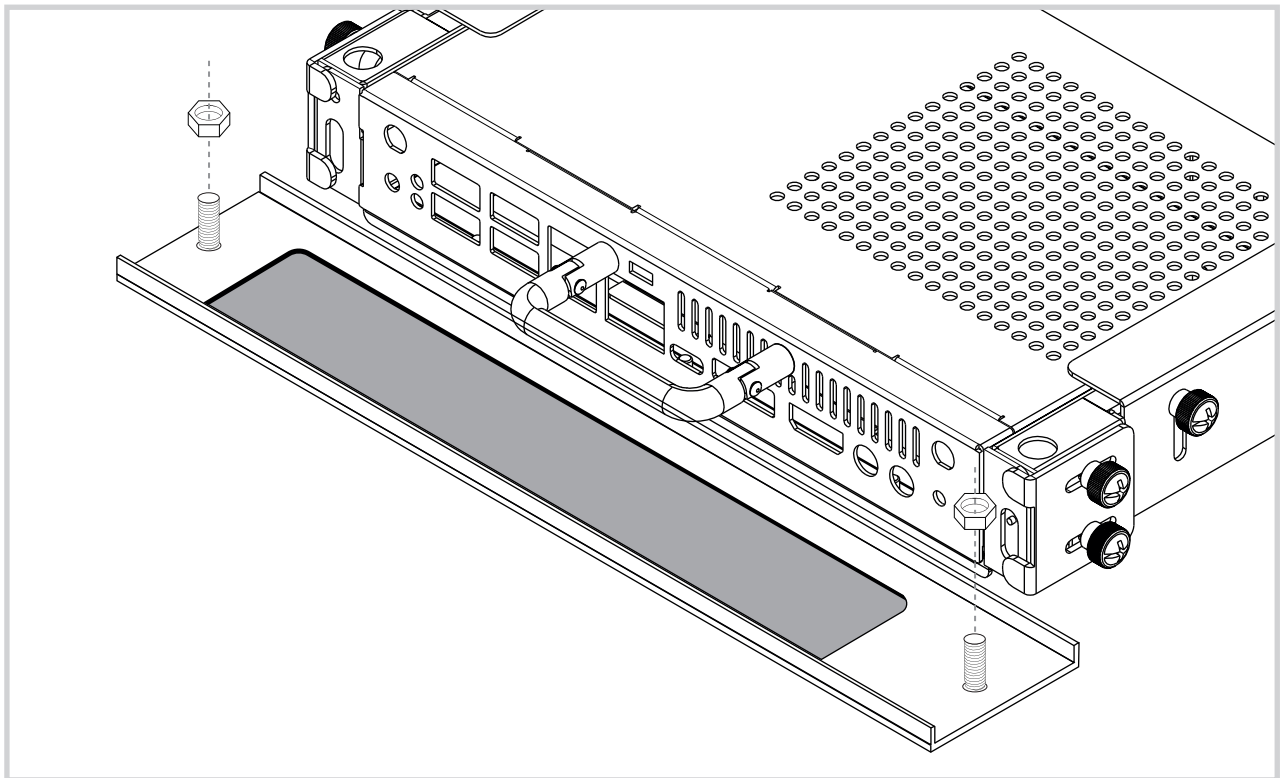
A Remove the nuts from the threaded screws that tighten the metal plate covering the rectangular hole in the door (see drawing below). In this way, it will be possible to quickly switch the OPS on or off by pressing the power button without opening the lower door.

or

B Configure the OPS to start automatically when energized (e.g. **go to BIOS and enable Restore AC Power Loss in Advanced > Power Management Configuration**)

Check that all cables are correctly inserted and that the OPS is securely locked (recheck the locking screws).

Close the lower compartment and lock it with the key.



ADDITIONAL OPS/PC SWITCHING

- Connect the Zero Edge to the mains and switch it on using the Key Lock.
- When the boot is complete, gently press the switch button (Ready for Future) at the bottom of the interactive table to change the video source from primary to secondary and to switch the touch input from the Android device to the external or internal OPS.
- Press the switch button again to return to regular operation.

RESPONSIBILITY RESTRICTIONS

Atlantis does not offer support for using the Android operating system or installing the application SW, nor is it liable for malfunctions and/or data loss generated by it.

- All conditions of use and clauses contained in this manual and the warranty are understood to be known and accepted. If these are not accepted, please return the product immediately (within 7 days of purchase).
- To take advantage of the improved warranty conditions associated with the product, it is advisable to register the product at www.atlantis-land.com no later than 15 days from the date of purchase. Failure to register by the above deadline will result in the product being covered exclusively by standard warranty conditions.

MAINTENANCE

It is recommended that the screen (touchscreen) be constantly cleaned to ensure proper sanitization and maintain optimal touch quality.

This should be done regularly with products suitable for cleaning computer monitors and using a soft, lint-free cloth.

TRANSPORT AND STORAGE

Only use the original packaging supplied with the device. This is designed to protect the device from mechanical shock and impact. The packaging should be retained as it provides adequate protection for the device should it need to be shipped to a repair centre. Atlantis cannot be held liable for any shipping damage if shipped in non-original packaging.

WARNINGS

We have made every effort to avoid errors in the text, images, and tables of this manual, software, and hardware. However, we cannot guarantee that no errors and/or omissions are present. Finally, we cannot be held liable for any loss, damage, or misunderstanding made directly or indirectly as a result of using the manual, software, and/or hardware.

The contents of this manual are provided for informal use only and are subject to change without notice (for this purpose, please consult www.atlantis-land.com for updates). They should not be construed as a commitment by Atlantis, which assumes no liability for any errors or inaccuracies that may appear in this manual.

WARNINGS

No part of this publication may be reproduced or transmitted in any other form or by any means, electronically or mechanically, including photocopying, reproduction, or recording in a retrieval system, or translated into any other language or in any other form without the express written permission of Atlantis.

All manufacturer and product names and trademarks, whether registered or not, mentioned in this manual are used for identification purposes only and remain the exclusive property of their respective owners.

WARNINGS !

- If all rules and regulations in this operating manual are not observed, the guarantee will be invalidated. Keep this manual for future reference.
- Before any maintenance and/or moving of the device, the device should be switched off and its cable disconnected.
- Before using the interactive table, remove all transport and storage packaging.
- The mains socket to which the interactive table is connected must be earthed and have the following ratings: 220Vac, 50Hz. DO NOT connect the cable with wet hands: risk of electric shock.
- The power supply unit's connection cable must never be stepped on, bent, or cut. It must be inserted firmly into the wall plug/socket.
- Do not install in locations where the device is exposed to direct sunlight. Install the unit in an indoor environment with controlled temperature and humidity. To avoid electrical hazards, DO NOT immerse the unit in water or other liquids, and DO NOT use it near water.
- Do not use the interactive table if the cable is damaged, if it malfunctions, or if it has any other damage.
- Do not drop or insert any objects into the openings.
- Entrust the table to the manufacturer or a manufacturer-authorized repair centre for repair.
- Only place the interactive table on flat, stable surfaces.
- Do not use anything other than your hands to control the device's touch. Metal and/or sharp tools can scratch the glass cover and affect its performance.
- Keep the unit away from hot surfaces and open flames.
- DO NOT attempt to repair or adjust the electrical or mechanical devices inside the unit. This will void the warranty. The interior of the unit contains no user-serviceable parts. All service work should only be performed by qualified personnel except fitting and removing the HDMI input/USB Touch Output cables.
- Do not remove the external panels to avoid the risk of electric shock and/or component breakage.
- Please get in touch with qualified personnel if you have any doubts or concerns.
- NEVER use detergent, petrol, glass cleaner, furniture polish, thinner or other household solvents to clean any part of the device. Use a soft, slightly wet cloth. The screen should be cleaned regularly with suitable products (as for an ordinary PC screen or with a clean, slightly damp cloth with just water).
- Do not use the product if the cables are damaged. Could you take it to an authorized repair centre?
- Keep out of reach of children unless supervised by adults.
- The device must not be used by persons with reduced physical, sensory or mental capabilities or lack of experience and knowledge unless they are under adult supervision or have been given appropriate instructions.
- Any device modification by an unauthorized operator involving the installation of Operating Systems not issued by the manufacturer invalidates the warranty and releases the manufacturer from all problems arising from using the modified device.
- To reduce the risk of damaging your hearing, reduce the volume to an appropriate level and lessen the listening duration when the volume is high.
- Never unplug the cable from the wall socket when the interactive table is switched on. This would cause it to be switched off inappropriately.
- Only connect CE-certified equipment and cables to the device.
- Installation of the OPS module should only be carried out by qualified personnel.



WARRANTY

Object of the guarantee: manufacturing or conformity defects.

Warranty remedies (as applicable): repair or replacement; price reduction or full refund.

Warranty period: two years regardless of the quality of the purchaser (consumer or professional purchaser).

Warranty exclusion cases

- lack of proof of purchase (invoice or receipt);
- tampering, forcing and damage to the product caused by the user;
- other defects arising from: improper use; unauthorised modifications (including hardware/software); operations or storage outside the technical specifications of the product; incorrect maintenance; defects arising from the use of software other than that supplied and all those elements (hardware and software) not designed to be used with the product.

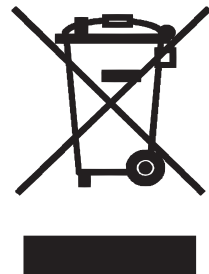
Components not covered by warranty: batteries (warranty limited to 6 months from the date of purchase) or other components subject to rapid manual or mechanical wear and tear.

For further warranty information and/or for enquiries or support please visit www.atlantis-land.com SUPPORT and DOWNLOAD area or write an e-mail to: info@atlantis-land.com.



ENVIRONMENTAL INFORMATION

This product may contain substances that can be harmful to the environment and to the human health, if not disposed of properly. We therefore provide you the following information in order to prevent the release of such substances and to optimize use of natural resources. The electrical and electronic products should not be disposed of in the normal household waste, but should be properly collected in order to be correctly treated. The symbol of the crossed bin shown on the product and in this page reminds the need to properly dispose of the product at the end of its life. In this way you can avoid that a non-specific treatment of the substances contained in these products, or an improper use of parts of them can lead to harmful consequences for the environment and human health. Moreover, you can contribute to the recovery, recycling and reuse of many of the materials composing these products. This is why the manufacturers and distributors of Electrical and Electronic Equipment (EEE) organize proper collection and disposal of the equipment themselves. At the end of the product's lifespan, please contact your dealer for instructions regarding disposal. When purchasing this product your distributor will inform you of the possibility to replace your old device with a new one, on condition that the type of product and its functions are the same. If the dimensions are not over 25 cm, the EEE (Electrical and Electronic Equipment) can be returned without any equivalent product purchase obligation. Disposal of the product in any other way will be liable to the penalties foreseen by the laws in force in the country where the product is disposed of. Moreover, we suggest adoption of the following additional measures to protect the environment: recycling the inner and outer packaging and disposing of any used batteries correctly. With your help, we can reduce the amount of natural resources used in the manufacture of EEE (Electrical and Electronic Equipment), minimize use of landfills for product disposal and improve quality of life by preventing the release into the environment of potentially dangerous substances.



BRIEF DECLARATION OF CONFORMITY



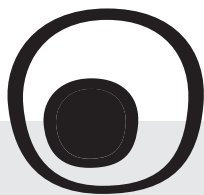
Hereby ATL S.r.l., declares that the equipment type **INTERACTIVE TABLE ZERO EDGE** is in compliance with Directive 2014/53/EU. The full text of the EU declaration of conformity is available at the following internet address: <ftp://ftp.atlantis-land.com> (username: certifications - password: atlantis) (file name: CE_ZEROEDGE2024.pdf).

TECHNICAL SUPPORT

For any other problem or doubt regarding the operation of the product, you may contact Atlantis technical support service by opening an online ticket on the portal <http://www.atlantis-land.com/ita/supporto.php>.

If access to the support portal is not possible, you may also contact Atlantis Technical Support by telephone on **02 - 93.55.00.66, from 14:30 to 18:00, Monday to Friday.**

For any pre-sales support or contact requests, please use the email addresses **info@atlantis-land.com** or **prevendite@atlantis-land.com**.



Atlantis

Prodotto e Importato | Produced and Imported | Producido e Importado | Produzido e importado | Produit et Importé | Hergestellt und Importiert | Produkowane i importowane

ATL S.r.l.

OPERATING OFFICE:

Via Camillo Chiesa, 21
20005 Pogliano Milanese (MI)
Italy

LEGAL OFFICE:

Via Papa Giovanni XXIII°, 45
24121 Bergamo (BG)
Italy

tel.: +39 02.86897001
www.atlantis-land.com
info@atlantis-land.com

Per reclami e segnalazioni riguardanti eventuali incidenti o problemi di sicurezza riguardanti un prodotto contattare il numero di telefono o scrivere all'indirizzo mail:

For complaints and reports concerning possible accidents or safety issues with a product, please contact the telephone number or write an e-mail to:

Para reclamaciones e informes sobre posibles accidentes o problemas de seguridad con un producto, póngase en contacto con el número de teléfono o escriba a:

Pour les plaintes et les rapports concernant d'éventuels accidents ou problèmes de sécurité liés à un produit, veuillez contacter le numéro de téléphone ou envoyer un courriel électronique à:

Für Beschwerden und Berichte über mögliche Unfälle oder Sicherheitsprobleme mit einem Produkt wenden Sie sich bitte an die Telefonnummer oder schreiben Sie eine E-Mail an:

Para queixas e relatórios relativos a possíveis acidentes ou problemas de segurança com um produto, contactar o número de telefone ou escreva um e-mail para:

W przypadku skarg i zgłoszeń dotyczących możliwych wypadków lub kwestii bezpieczeństwa związanych z produktem, prosimy o kontakt pod numerem lub napisz na adres:



+39 02.86897001



safety@atlantis-land.com



www.atlantis-land.com/safety



Z E R O
E D G E
K I D S T A B L E

*Prodotto e Importato | Produced and Imported
Producido e Importado | Produit et Importé
Hergestellt und Importiert*

ATL S.r.l.

OPERATING OFFICE:

**Via Camillo Chiesa, 21 - 20005 Pogliano
Milanese (MI) - Italy**

LEGAL OFFICE:

**Via Papa Giovanni XXIII°, 45 - 24121
Bergamo (BG) - Italy**

**tel.: +39 02.86897001
www.atlantis-land.com
info@atlantis-land.com**